

Contents

Contents	1
1.Safety information	2
2.Product introduction	4
2.1 Fixture profile dimensions.....	4
2.2 Fixture introduction.....	5
3.Package & delivery	6
3.1 Included items.....	6
4.Installation	6
5.Datalink	8
5.1 DMX512 link.....	8
6.AC Power supply	10
6.1 Power connection	10
7.Conpanel	10
7.1 Control panel introduction.....	10
7.2 Control panel function explanation.....	11
8.Technical feature	12
8.1 Production feature explanation.....	12
9.Control Channel	13
9.1 Menu control.....	13
9.2 DMX control.....	13
10.PartsCode	14

Attached1: FINE 1514 ZOOM fixture exploded drawing

Attached2: FINE 1514 DG fixture exploded drawing

Attached3: FINE 1514 ZOOM light output and beam angle range

Attached4: FINE 1514 DG light output and beam angle range









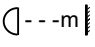




Attached5: FINE 1514 ZOOM wiring diagram

Attached6: FINE 1514 DG wiring diagram

★ Declaration

This product has passed the final check for both functionalities and package when delivered from the factory. All users should observe the instructions and pay attentions to the warnings covered by this manual. Unreasonable damages resulting from unintended operations or not heeding instructions covered by this manual will void the warranty. Specifications in this manual intend for reference only, the fixture delivered takes the priority. Any future modification pertaining to content of this manual, there will be no particular notifications. FINE ART reserves all copyrights. To obtain the latest information about software update, hardware and other files, please visit FINE ART online website.

The following symbols are used to identify important safety information on the product and in this manual:

						
DANGER! Hazardous voltage. Risk of severe or lethal electric shock.	DANGER! Safety hazard. Risk of severe injury or death.	DANGER! Refer to manual before installing, powering or servicing.	Warning! Fire hazard.	Warning! Burn hazard. Hot surface. Do not touch.	Warning! Risk of eye injury. Safety glasses must be worn.	Warning! Risk of hand injury. Safety gloves must be worn.
						
Replace any cracked protective shield	Minimum distance from lighted objects (metres)	Rated maximum ambient temperature	Do not direct lens to sun ray or strong light!	Do not actuate during operation	Do not use the light under the harsh condition	

1. Safety information



WARNING!

Read the safety precautions in this section before installing, powering, operating or servicing this product.

After receiving the fixture, please unpack and check if there is any damage due to transportation. If any obvious damage or flaw is found, do not put it into use and contact the distributor or manufacturer as soon as possible.



This fixture is intended for professional use only. When operating the fixture, attentions should be drawn to fire/electric-shock hazards and lethal injuries caused by fall.



Read this User Manual before mounting and ennergizing the fixture. Observe the safety guideline and notice the warnings both in this User Manual and on the fixture. Yet any safety concerns not covered hereby, contact the distributor or service hot-line.

Protection against over heat

$t_a = 40^{\circ}\text{C}$



The light is suitable for indoor environment or outdoor environment; its protection rating is IP66(67). The fixture should be kept dry and avoid working in presence of moisture, over-heat or heavy smokes. Protect the light from the chemical liquid. The natural working temperature should be lower than 40 degrees. If the ambient temperature exceeds 40 degrees, please stop operating the unit immediately.



Protection against explosion

Shields must be replaced if they have become visible damaged to such an extent that their effectiveness is impaired.



Protection against ultraviolet

Prolonged exposure to an unshielded discharged lamp can cause eye.



Protection against injury due to falls

To inspect that the structure and the truss hooks are in good condition and can bear about 10 times the weight of the fixture.

Ensure the cover and all riggings are securely fastened, safety wire is necessary to use as a secondary attachment.

Block access below the working area and work from a stable platform while installing, servicing or moving the fixture.



Protection against electrical shock

All electrical connections must be performed by a qualified person with technical certificate.

Make sure that the mains power supply you use is up to local construction and electronic code regulation, the over-load protection reliable earthing is essential.

Each fixture must be grounded correctly, and be installed according to related regulation.



Keep flammable materials far away from the fixture.

Make sure the fixture is far away from the flammable or explosive materials. The minimum distance between the fixture and those materials should be 0.5m.



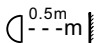
The maximum working temperature of the exterior surface, under the steady working state, the max temperature of exterior surface is 70°C. Please do not touch the light when the fixture is working.

Do not illuminate surfaces within 0.5 meters of the fixture.

Provide a minimum clearance of 0.1m around the cooling fans and air vents.

Do not place any filter or other objects onto the optical lens.

Do not revise the fixture or install any parts not from Guangzhou CHAI YI LIGHT CO. LTD.



2. Product introduction

2.1 Fixture profile dimensions

● Front view

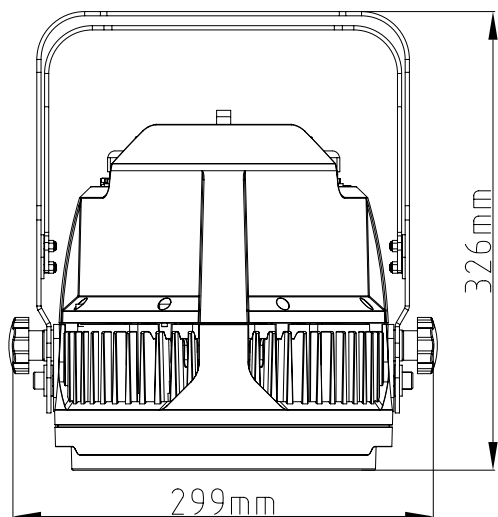


Fig.(2.1-1)

● Side view

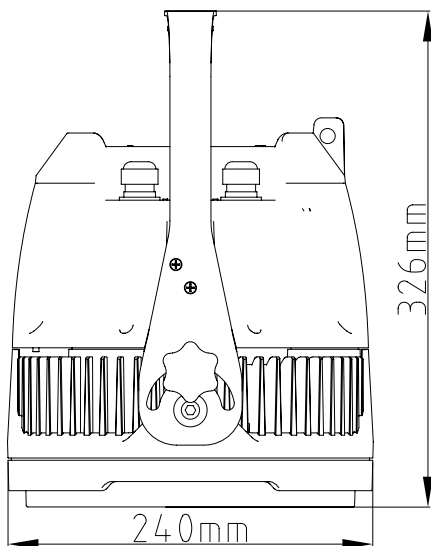


Fig.(2.1-2)

2.2 Fixture introduction

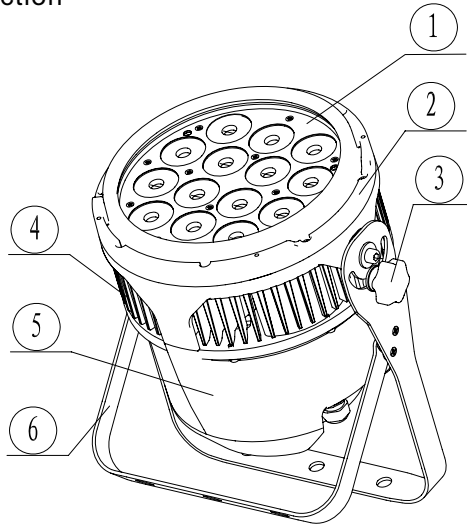


Fig. (2.2-1)

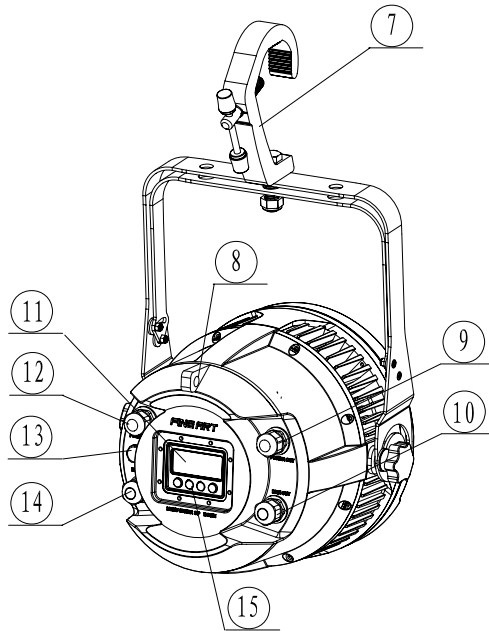


Fig. (2.2-2)

NO.	Name	NO.	Name	NO.	Name
1	LED lens	6	Base assembly	11	Display
2	Head cover	7	Clamp	12	Power in
3	Manual nut	8	Safety cable hole	13	Air vent
4	LED cooling part	9	Power out	14	DMX in
5	Base assembly	10	DMX out	15	Function button

3.Package & delivery

3.1 Included Items

FINE 1514 ZOOM/1514DG is pack with flight case or case or carton foam backing, 6pcs/case, 1pcs/carton. Included items listed below(shown as table 3.1-1):

Accessories	FINE 1514ZOOM	FINE 1514DG	UNIT
User Manual	1	1	pc
Warranty card	1	1	pc
Clamp	1	1	set
Safety Wire	1	1	pc
Signal Cable	1/6	1/6	set
Power Cable	1/6	1/6	pc
Extended Signal Cable	1	1	pc(Optional)
Extended Power Cable	1	1	pc(Optional)
Water-proof Power Socket	1	1	Set(Optional)

Table (3.1-1)

3.2 Fixture Package

1. Before packaging, please disconnect the fixture from power supply and wait at least 15 minutes for cooling.
2. Remove dust buildup on the exterior surface. Pack the fixture with an inner bag and then put it into the case gently.
3. Pack the included accessories into the road-case.
4. Road-case stacking do not exceed 2 layers, upside down the road-case is not allowed.

3.3 Unpacking

Notice: inspect the units upon reception. If there is any evident damage due to transit, do not use the units and notify FINE ART local distributor or contact Guangzhou CHAI YI LIGHT Co., Ltd directly.

1. Open the road-case and unpack the inner bag.
2. Grasp the handles on the base and lift the fixture out from the road-case.

Alternatively, first open the upper casing of the road-case. Apply 2 sets of suspension clamps to the bottom of the base. Then lower the lifter to such a level where it's easier to clamp the fixture and the lifter together via a "G" hook. Secure the locking screw in the "G" hook. Finally, lift the fixture out of the flight case and finally push the air box out.

4. Installation

User must be timely check the fixture and its install materials, if you are non-qualified to check that, please contact the professional person. Wrong installation will result in fatal hazard.

The fixture working ambient temperature are between $-10^{\circ}\text{C}\sim 40^{\circ}\text{C}$, When ambient temperature over the range, don't operate the fixture. When the fixture are in installation, teardown, remove or servicing, don't stand in under the fixture.

Operator must be insure the fixture are safely connected. The input power supply must match the specific type demanded by the fixture. Make sure the installation check annually by professional person.

FINE 1514 ZOOM / FINE 1514 DG can be put on stage floor or fixed on any brace or truss. Quick trigger locks can easily fix the fixture to mounting brackets shown as follows, Fig 4.1-1,4.1-2.

On the ground

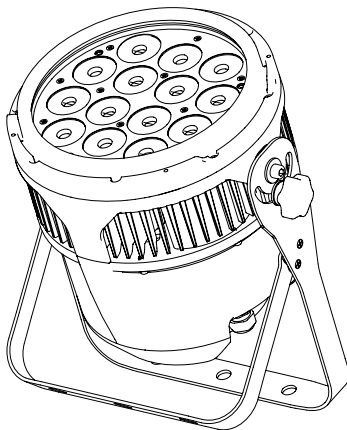


Fig. (4. 1-1)

Hang on the truss with clamps

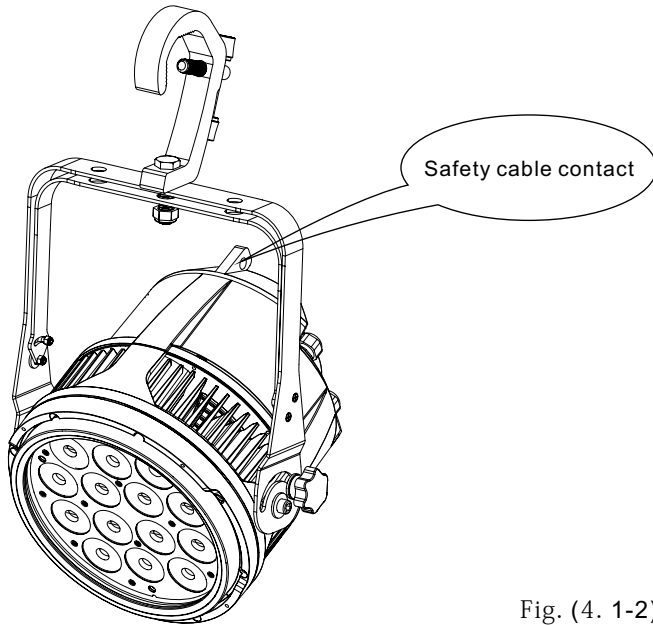


Fig. (4. 1-2)



Warning

Please add one safety cable to the bracket.

5. Tips for Data Link

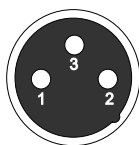
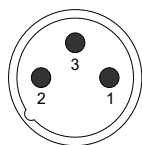
5.1 DMX 512 for data transferring

Note: The signal cable is type Y connection.

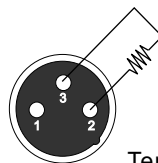
Type Y connection—if the external flexible cable or cord of this fixture is damaged, it shall be replaced by a special cord or cord exclusively available from the manufacturer or his service agent.

3-pin XLR connectors are provided for fixture DMX input and output.

Pin 1 is for earthing, pin 2 is for minus signals, and pin 3 is for plus signals. To prevent and absorb the reflection and interference of the signals, each data link must be ended by a respective terminator.



3 pin XLR socket



Terminator

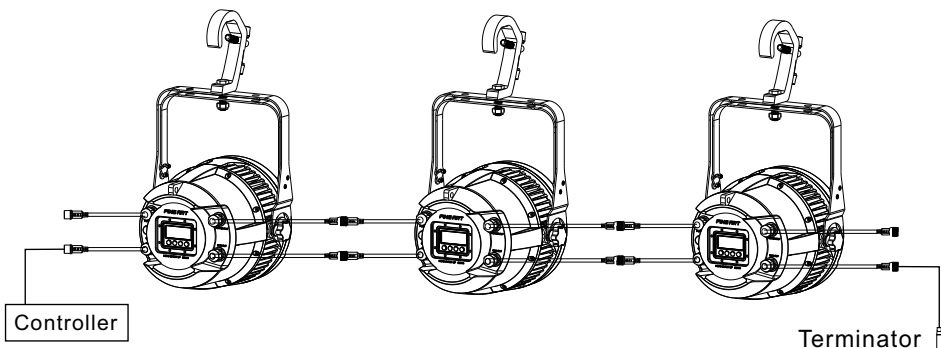
DMX 512

- | | |
|---------------------------------|-----------|
| 1 $\frac{1}{2}$ (shielded wire) | GND/OV |
| 2 red | signal(-) |
| 3 white | signal(+) |

Terminator specification:
a 120Ω resistor with a power of 0.25w, solderd between pin 2 and pin 3 at the end of respective data link.

Fig(5.1-1)

Connect the 3-pin output of a lighting controller to the 3-pin input of a first fixture on the link, then connect the 3-pin output of the said first fixture to the 3-pin input of a second fixture. Similarly, repeat the above connection step and end the data link with a plug-in terminator. Shown as Fig. 5.1-2 below.



Fig(5.1-2)

Notice:

1. No more than one signal input or output can occur in one fixture.
2. Don't split a data link via output ports on the fixture, use a DMX512 signal amplifier instead, if necessary.
3. Use only shielded-pair cables, and standard microphone cable is not reliable for long-distance data transfer.

6.AC Power supply

6.1 Power Connection

Notice: Type X attachment for power supply connection.

Method of attachment of the cable or cord such that any replacement can only be made by the manufacturer, his service agent or similarly qualified person.

The person must have the relevant qualification to connect the power supply. The AC power voltage shall be suitable to the lamp provided with over-loading or cree page protection. Connecting the equipment to the power supply, do not connect to silicon boxsystem, or else, it will destroy the equipment. The fixture is provided with standard 3-pin socket. Please according to table 6.1-1 connect to power supply, Yellow/green line must be earthed. If you still have any question to the installation, please consultant with the experienced electrician.

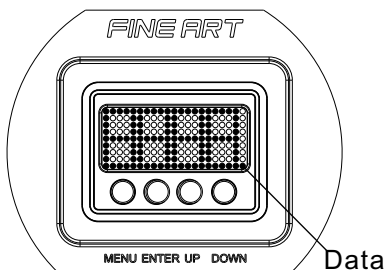
Color	Wire	Mark
Brown	Live	L
Blue	Neutral	N
Yellow/Green	Earth	⊕

Table(6.1-1)

Note: Do not exceed 5 units fixtures at 110V.
Do not exceed 10 units fixtures at 220V.

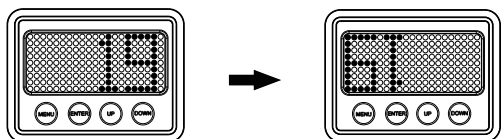
7.Control Panel

7. 1Control Panel Introduction



Fig(7. 1-1)

Button	Description
MENU	Switch of main interface and menu interface
ENTER	To enter menu/save the modified value
UP	Scroll up/add modified value
DOWN	Scroll down/decrease modified value



Reverse display:
When power on, the display will rotate 180 °by pressing ENTER and UP at the same time.

7. 2 Display panel operational function detail

Single function		Function detail			
	ADDR	IP Add:1-512 means DMX add			
	CTRL	RED	0-255	0-100% R Dimmer	
		GREN	0-255	0-100% G Dimmer	
		BLUE	0-255	0-100% B Dimmer	
		WHIT	0-255	0-100% W Dimmer	
		CTC	0	No function	
			1-255	Color temperature,8000K to 2700K	
		MACR	0-9	No function	
			10-255	Marco color	
		SHUT	0-7	No function	
			8-255	Strobe, slowly → fast, 1Hz-25Hz	
		S-LT	0	No function	
			1-255	Soft light fading, slowly → fast	
	W-LT	0	No function		
		1-255	cycling, slowly → fast		
	DIMR	0-255	0-100% Dimmer		
	ZOOM	0-255	Spot, small→big		
	DMX	CH01-CH16	DMX enquiry from CH01-CH16		
	INFO	HRTO	Hour total		
TEMP		Temperature			
VERS		Version			
MODE		5CH	5 channel mode		
		6CH	6 channel mode		
		11CH	11 channel (default mode)		
CURV		S	Dimmer S curve		
		Gm10	Dimmer GM 1. 0 curve		
		Gm15	Dimmer GM 1. 5 curve		
		Gm20	Dimmer GM 2. 0 curve		
SMTH	Dimmer smooth: 0-7				

ATTN: FINE 1514DG does not include zoom function. Th"ZOOM" button is useless for his fixture.

8. Technical Feature

8. 1 Production feature explanation

Light source: 15w×14LEDs (RGBW)

Color temp: 2700K-8000K

Input voltage: 100-240V~, 50/60Hz

Input power: 190W

Power Factor: $PF \geq 0.98$

Data connection: 3 pin XLR

Control mode: DMX 512; master/slave control mode

Optical system: 0-100% linear dimmer, electronic zoom (only for 1514 zoom)

Operational interface: LED display

Protection system: sensor detector, smart adjustment of power

Cooling: natural convection air flow

Shell: aluminum

Color: black

IP: IP 66(67)

Weight: 9kg

Fixture Dimension: 302*240*326mm

Package Dimension: 906*556*566mm

Up to the CE standard and GB7000.217-2008, GB7000.1-2007 standard.

9. Control Channel

9. 1DMX control channel

5CH	6CH	11CH	Channel Description
1	1	1	R dimmer
2	2	2	G dimmer
3	3	3	B dimmer
4	4	4	W dimmer
—	—	5	Color Temp
—	—	6	Macro color
—	—	7	Strobe
—	—	8	Soft light fading
—	—	9	Color cycling
—	5	10	Dimmer
5	6	11	Zoom

9.2 DMX channel feature

11CH	Channel Description	DMX value	DMX dimmer description
1	R	0-255	0-100% R dimmer
2	G	0-255	0-100% G dimmer
3	B	0-255	0-100% B dimmer
4	W	0-255	0-100% W dimmer
5	Color Temp	0	No function
		1-255	8000K-2700K
6	Macro color	0-9	No function
		10-255	Color macro effect
7	Strobe	0-7	No function
		8-255	Strobe, slowly → fast, 1Hz-25Hz
8	Soft light fading	0	No function
		1-255	Soft light fading, slowly → fast
9	Color cycling	0	No function
		1-255	cycling, slowly → fast
10	Dimmer	0-255	0-100% dimmer
11	Zoom	0-255	Spot size, small → fast

ATTN: This channel is for FINE 1514 ZOOM. If for FINE 1514DG, "ZOOM" function is excluded.

10. Parts Ordering

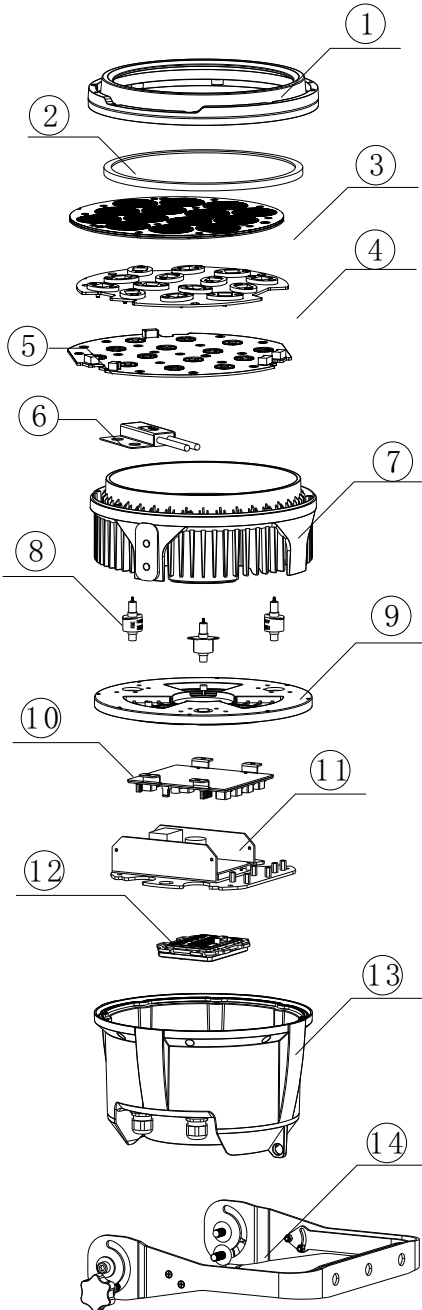
1514ZOOM Order P/N

NO.	Item*	Specification	Ordering P/N
1	Front cover	—	120710000014
2	Full tempered glass	—	200710000009
3	Zoom lens	—	200712000015
4	Reflector	—	200712000016
5	LED board	—	330710100014
6	Temp switch	85±5°	290102000013
7	Cooling part	—	120710100011
8	Stepper motor	—	140102000098
9	Middle cover	—	120710100013
10	LED driver board	—	320710100008
11	Power supply	—	329988802602
12	Display panel	—	330710100003
13	Rear cover	—	120710000012
14	Bracket assembly	—	230710000013

1514DG Order P/N

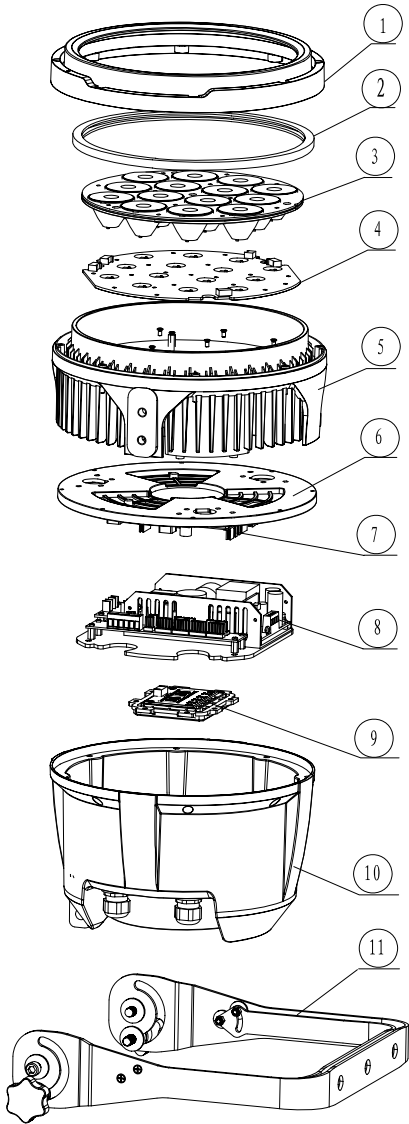
NO.	Item*	Specification	Ordering P/N
1	Front cover	—	120710000014
2	Full tempered glass	—	200710000009
3	8° lens	—	200710000012
4	12° lens	—	200703000007
5	24° lens	—	200703000008
6	LED board	—	330710100013
7	Cooling part	—	120710100011
8	Middle cover	—	120710000013
9	LED driver board	—	330710100010
10	Power supply	—	329988802602
11	display panel	—	330710100003
12	Rear cover	—	120710000012
13	Bracket assembly	—	330710100003

Attached 1: FINE 1514 ZOOM fixture exploded drawing



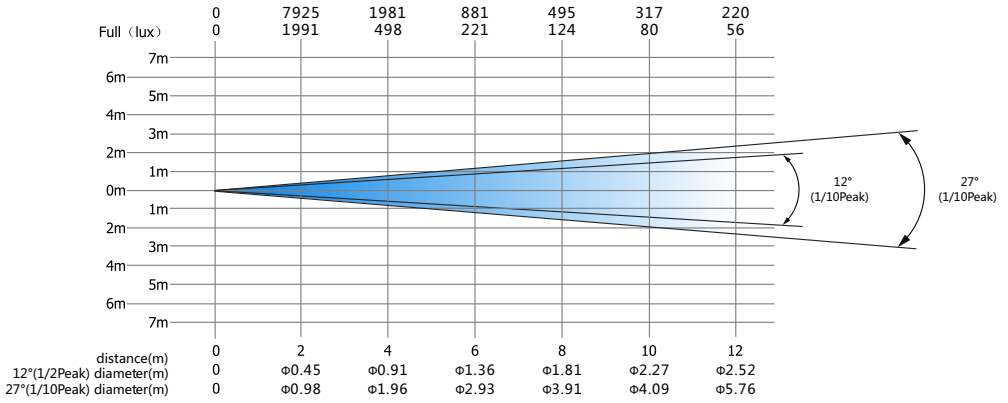
NO.	Item*
1	Front cover
2	Full tempered glass
3	Zoom lens
4	Reflector
5	LED support
6	Temp switch
7	Cooling part
8	Stepper motor
9	Middle cover
10	LED driver board
11	Power supply
12	Display panel
13	Rear cover
14	Bracket assembly

Attached 2: FINE 1514 DG fixture exploded drawing



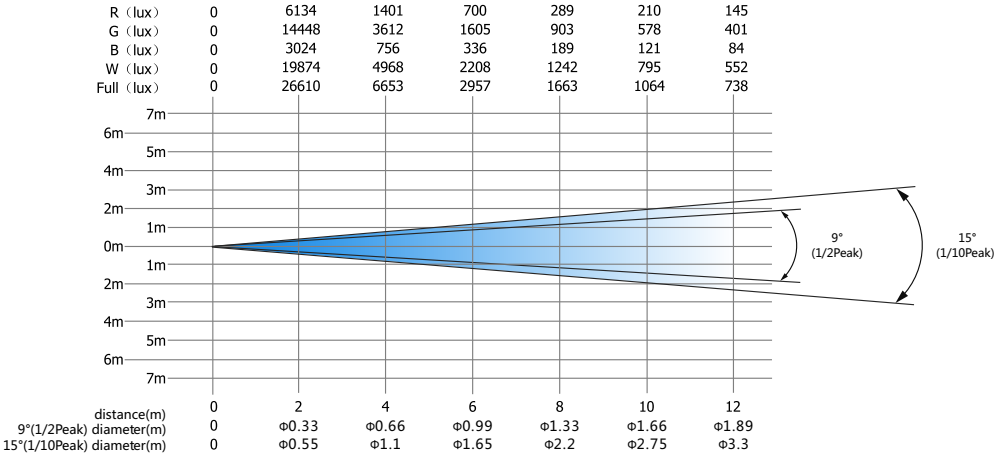
NO.	Item*
1	Front cover
2	Full tempered glass
3	Lens
4	LED support
5	Cooling part
6	Middle cover
7	LED driver board
8	Power supply
9	Display panel
10	Rear cover
11	Bracket assembly

Attached 3: FINE 1514 ZOOM light output and beam angle range

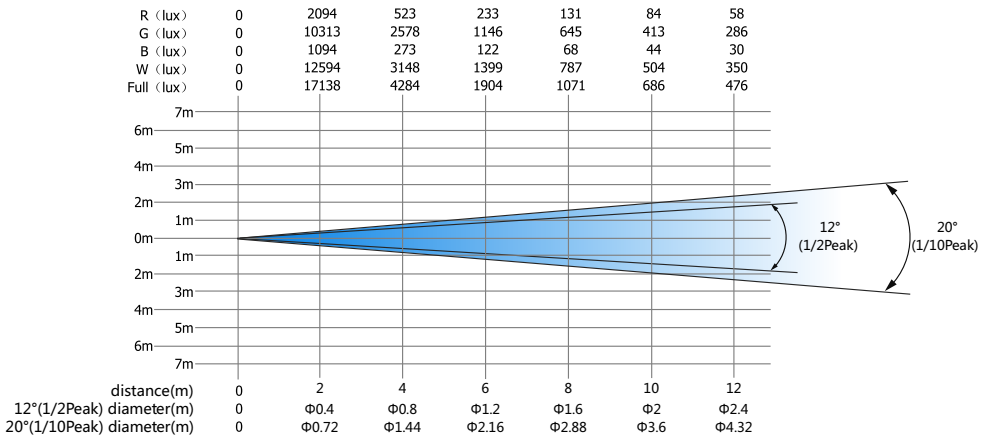


Attached 4: FINE 1514 DG light output and beam angle range

● FINE 1514DG 9°lens

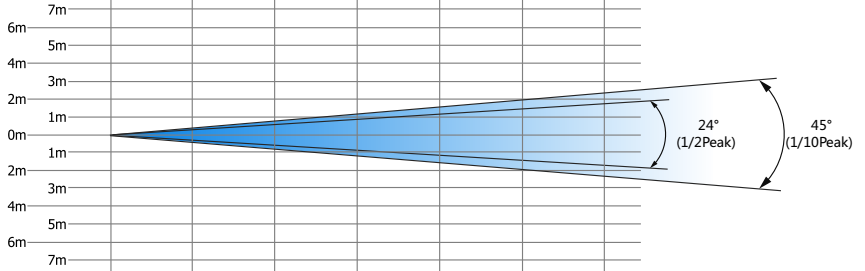


● FINE 1514DG 12°lens



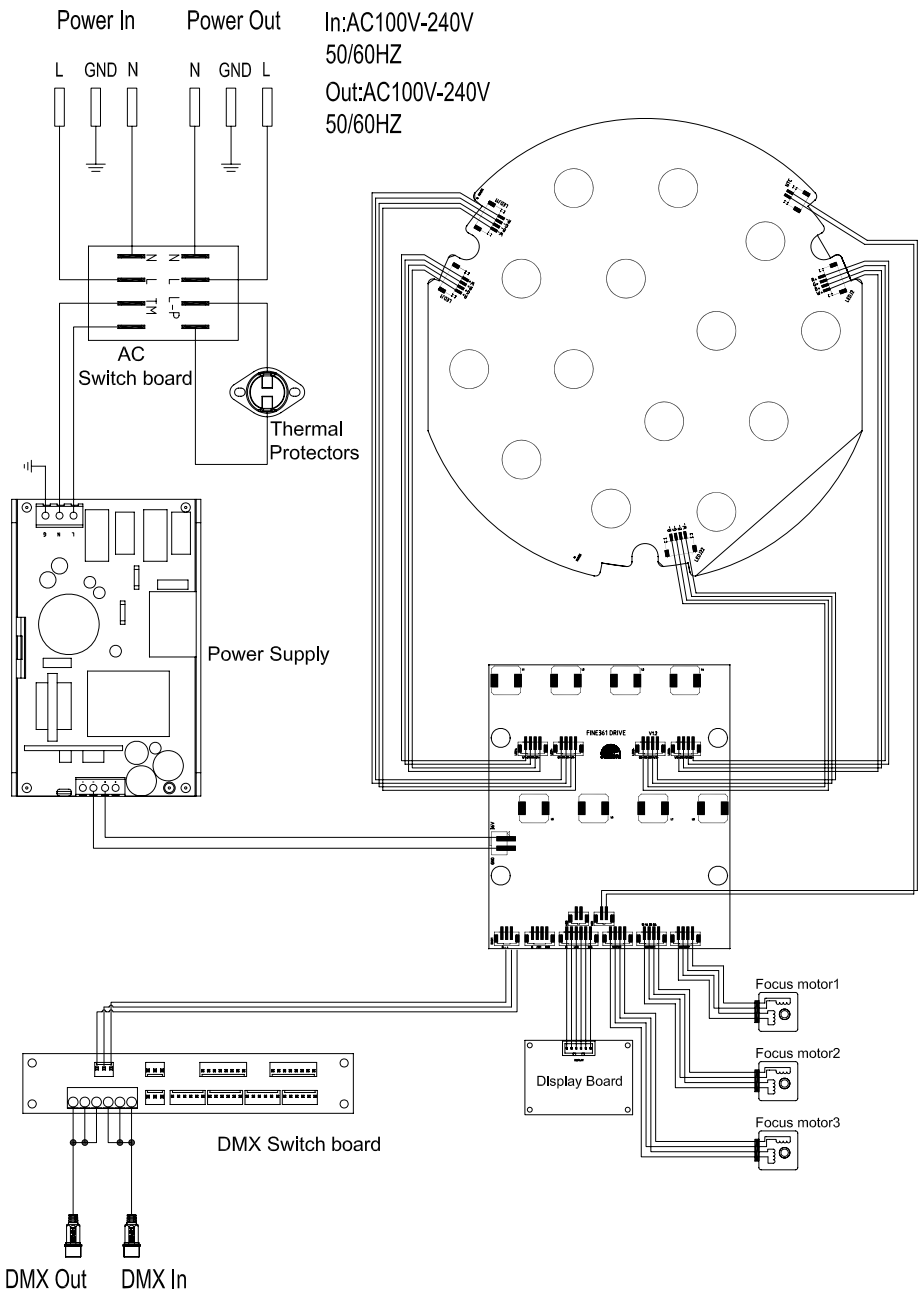
● FINE 1514DG 24°lens

R (lux)	0	385	96	43	24	15	11
G (lux)	0	1814	453	202	113	73	50
B (lux)	0	191	48	21	12	8	5
W (lux)	0	2313	578	257	145	93	64
Full (lux)	0	4417	1104	491	276	177	123



distance(m)	0	2	4	6	8	10	12
24°(1/2Peak) diameter(m)	0	Φ0.84	Φ1.68	Φ2.52	Φ3.36	Φ4.2	Φ5.04
45°(1/10Peak) diameter(m)	0	Φ1.6	Φ3.2	Φ4.8	Φ6.4	Φ8	Φ9.6

Attached 5: FINE 1514 ZOOM wiring diagram



Attached 6: FINE 1514 DG wiring diagram

