








# Contents

Contents.....	1
1.Safety information .....	3
2.Product introduction.....	4
2.1 Fixture dimension.....	4
3.Physical modules .....	5
3.1 Module illustration.....	6
3.2 Diagram of follow spot assembly .....	6
4.Assembling.....	7
4.1 Stand assembling.....	8
4.2 Whole assembling.....	8
4.3 Main body adjustment.....	9
5. Ac power supply.....	9
5.1 Power Connection.....	9
6.Lamp.....	10
6.1 Lamp introduction.....	10
6.2 Lamp installation and removal.....	11
7.Lamp-on operation.....	12
8.Technical feature.....	13
Production feature explanation.....	13
9.Functional introduction.....	15
10.Ordering P/N.....	16
11.Installation instructions for optional parts.....	17
Attache1: Fixture exploded drawing	
Attache2: Luminous intensity diagram	
Attache3: FINE 1400/1800SF WIRING DIAGRAM	
Attache4: FINE 2000 SF WIRING DIAGRAM	

The following symbols are used to identify important safety information on the product and in this manual:

						
Replace any cracked protective shield	For indoor use only	Minimum distance from lighted objects (metres)	Rated maximum ambient temperature			

## Declaration

This product has passed the final check for both functionalities and package when delivered from the factory. All users should observe the instructions and pay attentions to the warnings covered by this manual. Unreasonable damages resulting from unintended operations or not heeding instructions covered by this manual will void the warranty. Specifications in this manual intend for reference only, the fixture delivered takes the priority. Any future modification pertaining to content of this manual, there will be no particular notifications. FINE ART reserves all copyrights. To obtain the latest information about software update, hardware and other files, please visit FINE ART website.

## 1. Safety information



**WARNING!**  
Read the safety precautions in this section before installing, powering, operating or servicing this product.

After receiving the fixture, please unpack and check if there is any damage due to transportation. If any obvious damage or flaw is found, do not put it into use and contact the distributor or manufacturer as soon as possible.



This fixture is intended for professional use only.

When operating the fixture, attentions should be drawn to fire/electrical shock hazards, ultraviolet radiation, lamp shattering or lethal injuries caused by fall.



Read this User Manual before mounting and energizing the fixture. Observe the safety guideline and notice the warnings both in this User Manual and on the fixture.

Yet any safety concerns not covered hereby, contact the distributor or service hot-line.



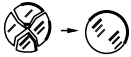
### Protection against over heat

The fixture is intended for indoor application, its protection rating is IP20. The fixture should be kept dry and avoid working in presence of moisture, over-heat or heavy smokes.

Protect the light from the chemical liquid.

$t_a = 40^\circ\text{C}$

The natural working temperature should be lower than 40 degrees. If the ambient temperature exceeds 40 degrees, please stop operating the unit immediately.



### Protection against explosion

Shields, lenses and ultraviolet screens must be replaced if they have become visible damaged to such an extent that their effectiveness is impaired. Replace the lamp immediately if it becomes visually deformed, damaged or in any way defected.



### Protection against injury due to falls

Do not handle the device alone when unpacking or moving it. Before installing the device, make sure the supporting stand or other mounting device is capable of bearing 10 times the weight of the device. Make sure all installing hardware is in good conditions and no obvious defect exists.



### Protection against ultraviolet radiation

Prolonged exposure to an unshielded discharged lamp can cause eye and skin burns.

Never operate the fixture with missing or damaged lenses and/or covers. Change the damaged head lens, shields or covers immediately.



### Protection against electrical shock

All electrical connections must be performed by a qualified person with technical certificate.

Make sure that the mains power supply you use is up to local construction and electronic code regulation, the over-load protection reliable earthing is essential.

Each fixture must be grounded correctly, and be installed according to related regulation.



Disconnect the fixture from AC power before removing or installing any cover or part, including the lamp and fuses, and when not in use.

Do not expose the fixture to rain or moisture.



### Protection against burning or fire

Please do not install the fixture onto combustible surface.

Do not attempt to bypass the thermostat switch or fuse.

Replace defective fuses with specified ratings only.

Keep flammable and explosive materials far away from the follow-spot. Minimum distance from combustible materials is 0.5m.

Under the steady working state, the max temperature of exterior surface is 110°C of FINE 1400 SF, the max temperature of exterior surface is 120°C of FINE 1800 SF, the max temperature of exterior surface is 85°C of FINE 2000 SF.

Ensure a minimum clearance of 0.5m around the cooling fans and ventilations.

Do not place any filter or other object onto the optical lens.

Allow the fixture to cool for at least 15 minutes before transit.

Do not revise the fixture or install any parts not from FINE ART.



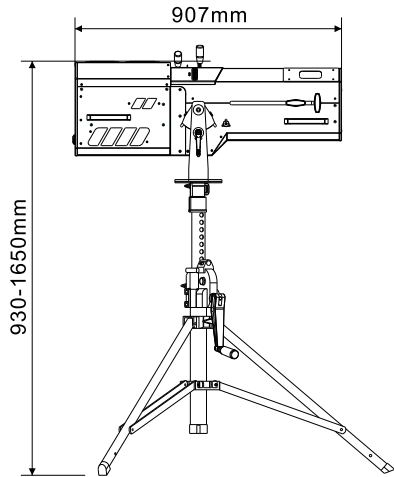
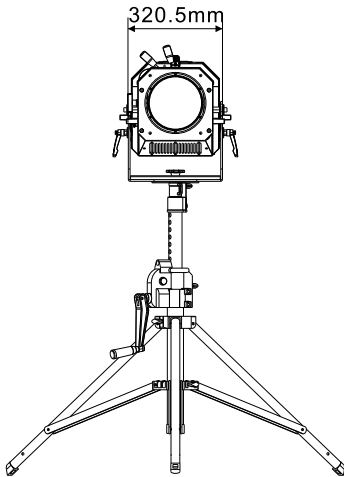
1400W (---4---m) The minimum distance between 1400W and the lighted objects is 4m.

1800W (---4.5---m) The minimum distance between 1800W and the lighted objects is 4.5m.

2000W (---4---m) The minimum distance between 2000W and the lighted objects is 5m.

## 2. Product introduction

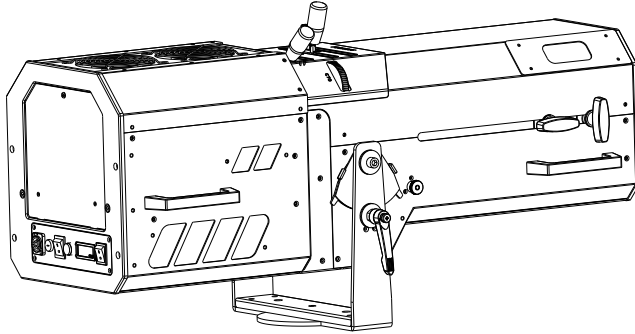
### 2.1 Fixture dimension



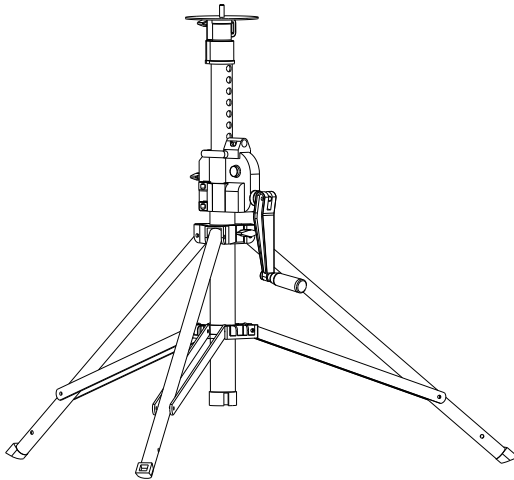


# 3. Physical modules

## 3.1 Module illustration

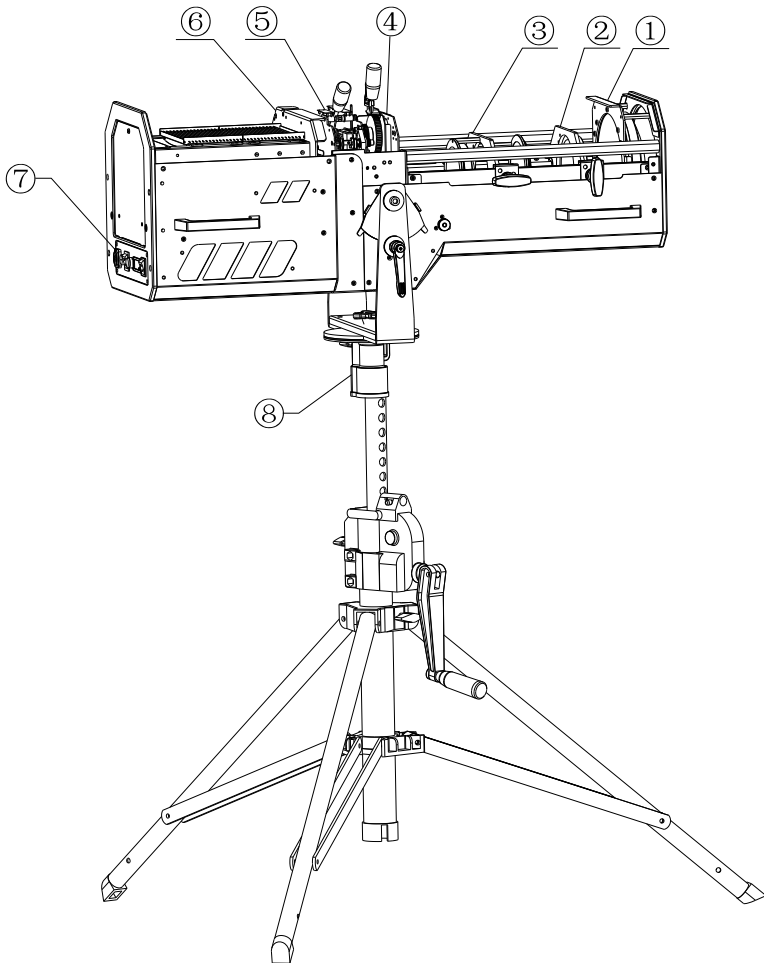


Main body  
(with one power cable and one signal cable)



Stand  
(foldaway)

### 3.2 Diagram of follow spot assembly



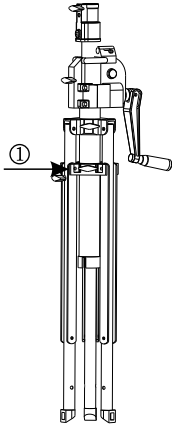
- 1. Lens assembly
- 2. Focus lens assembly
- 3. Zoom assembly
- 4. Iris assembly

- 5. color temperature dimmer assembly
- 6. Lamp assembly
- 7. Power switch assembly
- 8. Body frame

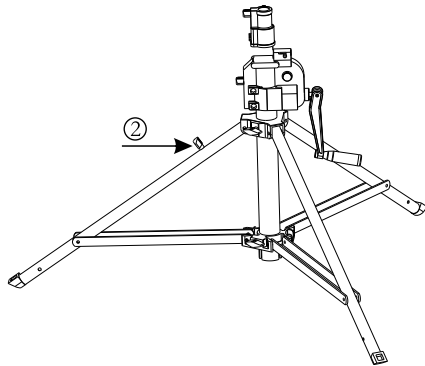
# 4. Assembling

## 4.1 Stand assembling

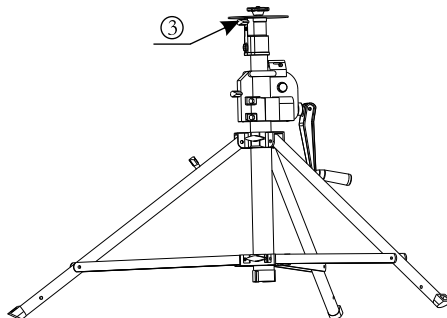
1. Take the stand out of the flight case, stand it on the flat ground, and loosen the bracket to extend and adjust the slider screw①, as shown in Figure(4.1-1).
2. Pull the stand foot outward or press the stand extension adjustment slider downward as shown in Figure (4.1-2).
3. After the stand is opened, the adjustment screw② on the stand foot can be adjusted according to different flatness to adjust the stability of the stand.
4. Twist the fixing nut ③ at the top of the stand, insert the U-shaped stand, and then tighten the fixing nut ③ as shown in Figure(4.1-3).



Fig(4.1-1)



Fig(4.1-2)



Fig(4.1-3)

## 4.2 Whole assembling

1. Lift the main body from the flight case and twist the left and right brake handles①.
2. Insert the main body into the U-shaped stand as shown in the figure and tighten the left and right brake handles as shown in Figure (4.2-1).

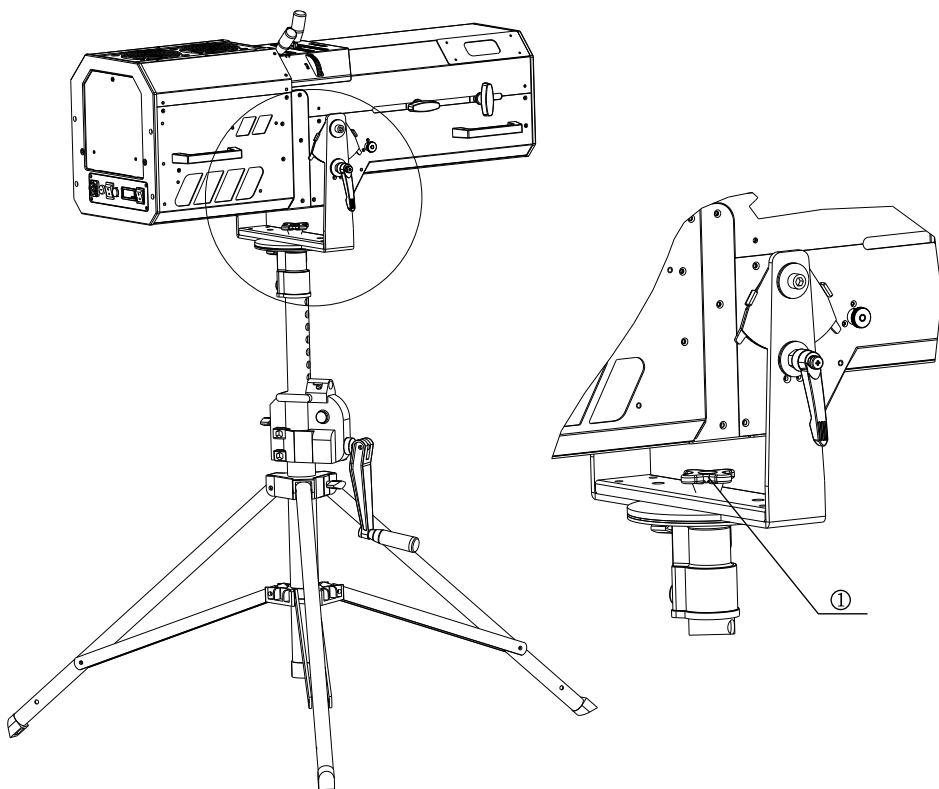


Fig.(4.2-1)

### Warning

When installing the main body, first check that if the stand has been placed smoothly, and the adjusting screw is locked. The operators should cooperate with each other to achieve light lifting.

## 4.3 Main body adjustment

1. Adjust the main body stand. First loosen the lifting handle①, shake the handle③, shake the handle, and then adjust the height to the appropriate height, then tighten the lifting handle①.
2. Lowering the adjustment of the main body stand. First loosen the lifting handle①, and pull the safety pin②, and then shake the handle③. After adjusting to a suitable height, After adjusting to a suitable height, the safety pin② is bolted and the lifting handle① is tightened.

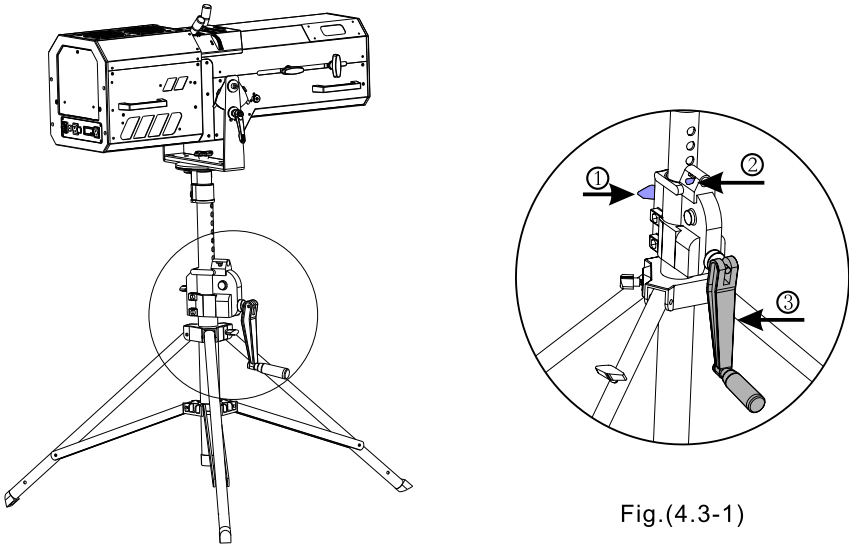


Fig.(4.3-1)

# 5. AC power supply

## 5.1 Power connection

The person must have the relevant qualification to connect the power supply. The AC power voltage shall be suitable to the lamp provided with over-loading or creepage protection.

1. Connecting the equipment to the power supply, do not connect to silicon box system, or else, it will destroy the equipment. The fixture is provided with standard 3-pin socket. Please according to table 5.1-1 connect to power supply, Yellow/green line must be earthed. If you still have any question to the installation, please consultant with the experienced electrician.

2. When power is supplied, put the base switch to the position “I”.


Color	Wire	Mark
Brown	Live	L
Blue	Neutral	N
Yellow/Green	Earth	

Table 5.1-1

## 6. Lamp

### 6.1 Lamp introduction

The FINE 1400SF uses the Lok-it!1400/PS Brilliant 1400W bulb with an average life of more than 750 hours.

The FINE 1800SF uses a Lok-it!1800/PS Brilliant 1800W bulb with an average life of 750 hours or more.

The FINE 2000SF uses a Lok-it!2000/PS Brilliant 2000W bulb with an average life of 750 hours or more.

This single-ended bubble uses a short arc point source that provides a very stable stable color temperature of 6000K(1400SF/1800SF)、6500K(2000SF) and a color rendering index greater than 90.

#### *Warning:*

1. Please do not install other similar lamps, otherwise it will cause safety hazards or damage the equipment.
2. To reduce the risk of damage to the luminaire, replace the lamp before it exceeds the life of the lamp.
3. Do not use scratched and damaged lamps.

## 6.2 Lamp installation



Warning

1. When replacing the lamp, do not touch the lamp sphere with bare hands to prevent the oil on your hands from getting on the sphere. The lamp must be kept clean and can be cleaned with the dry cloth.
2. Slide in or withdraw lamp slightly and carefully when installing or removing the lamp. Never let the lamp touch the reflector and hard-parts around to avoid any damage to lamp.

1. Disconnect the power supply and let the fixture cool down, then lock the main body in the stand to the horizontal position.

2. Remove the bulb: Cut off the power supply before replacing the bulb, and do not open it within 15 minutes after cutting off the power supply, then open the three fixing screws on the back cover of the main body by hand, as shown in figure (6.2-1).

3. Install the bulb: It must be aligned with the hole of the bulb porcelain base during the process of installing the bulb. After fixing the bulb, install the outer cover and twist the screws, as shown in Fig. (6.2-2).



Warning

Observe that the bulb must be installed in place, and the power cords of the two poles of the porcelain socket are in good contact.

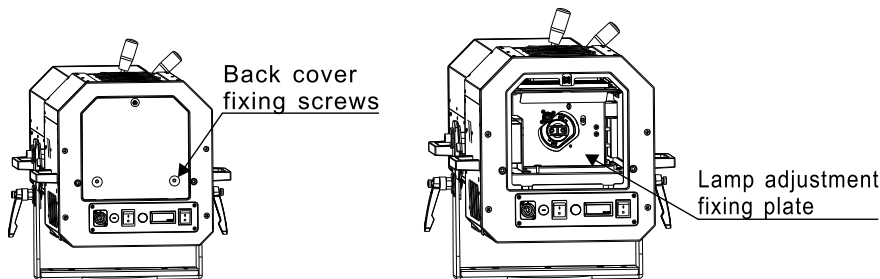


Fig. (6. 2. 1)

### **Warning:**

*Be sure the lamp must be installed in place, and the porcelain pole two-pole power cord is in good contact.*

# 7.Lamp-on operation

## 7.1 Lamp-on operation

1. As shown in the figure(7.1-1), connect the power cable, turn on the power switch④, the power indicator light is on, and press the light button⑤, then lamp is on.
2. Operate① and③ function adjusting rods and② operation pulley in turn, then lamp is on.

### Warning

*Do not turn off the power immediately after the follow-up light is operated. Allow the fan to continue working and cool for 5 minutes.*

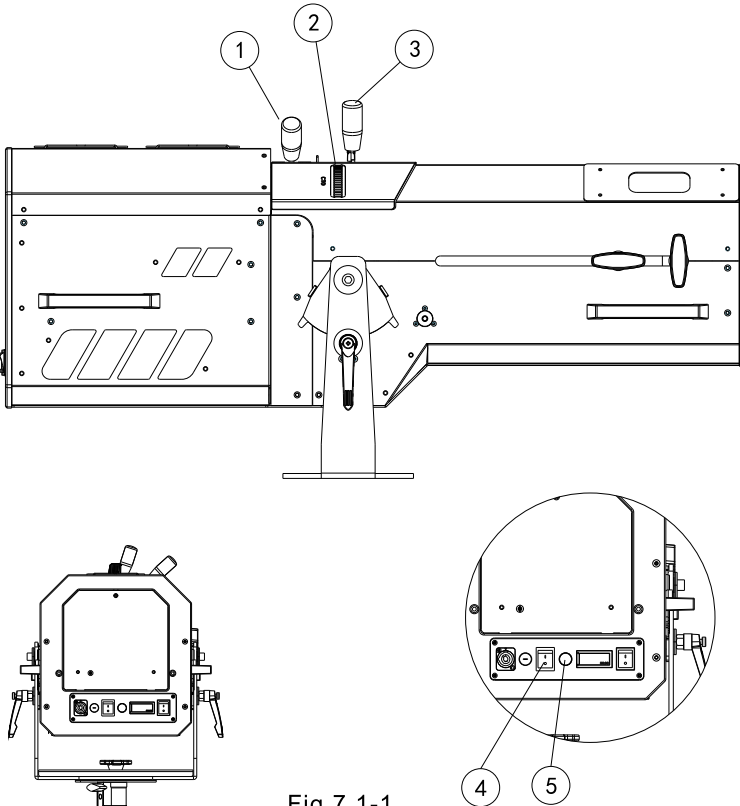


Fig.7.1-1



To shut down the follow-spot, do not disconnect the supply immediately after use, so as to allow the cooling fan to work a further 5 minutes.



# 8. Technical feature

## 8.1 Production feature explanation

FINE 1400 SF

Lamp: 1400W lamp

Beam angle: 3.5-9° or 5-18°

Projection distance: 10-70 meters (5-18° lenses) or 20M-200M (3.5-9° lenses)

Display index: Ra≥95

Illumination uniformity: ≥80

Manual modeling cut: 0-100% linear adjustment

Manual dimmer: 0-100% linear adjustment

Iris: 5-100% linear adjustment

Color system: CTO linear color temperature adjustment (2800K-6000K)

Color temperature: 6000K

Effect: atomization soft light effect

Pan 360°, Tilt ±35°

Voltage: 200-240V~, 50/60Hz

Imax: 7.3A

Input power: 1600W

PF ≥ 0.99

Automatic energy saving mode(the light is off): the lighting is controlled manually

Fixture Dimension: 907×405×350mm

Package Dimension: 1145×668×642mm

Weight: Main body31kg, Stand11kg

Gross Weight: 73. 5kg

Protection grade: IP20

FINE 1800 SF

Lamp: 1800W lamp

Beam angle: 3.5-9° or 5-18°

Projection distance: 10-70 meters (5-18° lenses) or 20M-200M (3.5-9° lenses)

Display index: Ra≥95

Illumination uniformity: ≥80

Manual modeling cut: 0-100% linear adjustment

Manual dimmer: 0-100% linear adjustment

Iris: 5-100% linear adjustment

Color system: CTO linear color temperature adjustment (2800K-6000K)

Color temperature: 6000K

Effect: atomization soft light effect

Pan 360°, Tilt ±35°

Voltage: 200-240V~, 50/60Hz

Imax: 9.4A

Input power: 2050W

PF ≥ 0.98

Automatic energy saving mode(the light is off): the lighting is controlled manually

Fixture Dimension: 907×405×350mm

Package Dimension: 1145×668×642mm

Weight: Main body31kg, Stand11kg

Gross Weight: 73. 5kg

Protection grade: IP20

# Technical feature

FINE 2000 SF

Lamp: 2000W lamp

Beam angle: 5-18°

Projection distance: 10-70 meters (5-18°lenses)

Display index: Ra $\geq$ 90

Illumination uniformity:  $\geq$ 80

Manual modeling cut: 0-100% linear adjustment

Manual dimmer: 0-100% linear adjustment

Iris: 5-100% linear adjustment

Color system: CTO linear color temperature adjustment (2700K-6500K)

Color temperature: 6500K

Effect: atomization soft light effect

Pan 360°, Tilt  $\pm$ 35°

Voltage: 200-240V~, 50/60Hz

Input current: 12A

Maximum input power: 2300W

Power factor:  $\geq$  0.98

Automatic energy saving mode(the light is off): the lighting is controlled manually

Dimension: 907×405×350mm

Packing: 1145×673×642mm

Weight: Main body 31kg, Stand 11kg

Gross weight: 85.5kg

Protection grade: IP20

# 9.Functional introduction

## 9.1 Dimming

Using 0-100% manual mechanical dimming optical system, manual operation according to actual needs, can achieve the ideal spot effect.

## 9.2 Color temperature

Equipped with a professional color temperature correction lens group, which can adjust a preset and stable color temperature.

## 9.3 Aperture

Equipped with a mechanical aperture, which can be used for manual beam shaping according to actual needs.

## 9.4 Cut light (optional)

Equipped with a professional cutting system, using high-precision cutting film and manual 0-100% adjustment of the cutting light, which can mold different light effect spots.

## 9.5 Atomization

Equipped with a high-efficiency atomization mirror, which can be switched to the atomization effect manually and instantly according to actual needs.

## 9.6 Focus

Equipped with a high-transparent focusing optical lens and a manual focusing handle, which can adjust the high-definition spot at any point in the effective beam spot of the fixture.

## 9.7 Zoom in and zoom out

Equipped with a high-transparent zoom lens and manual zoom handle, which can effectively adjust the beam at 5°-18°.

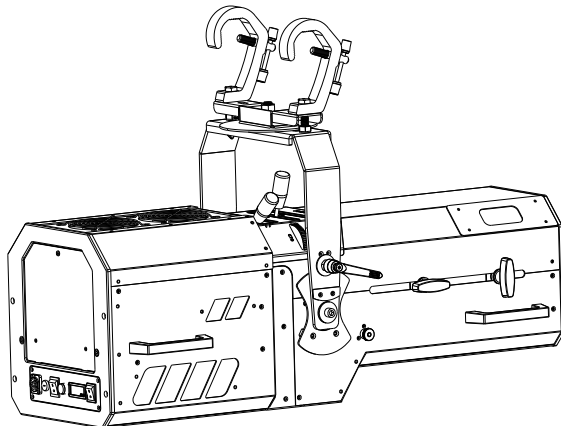
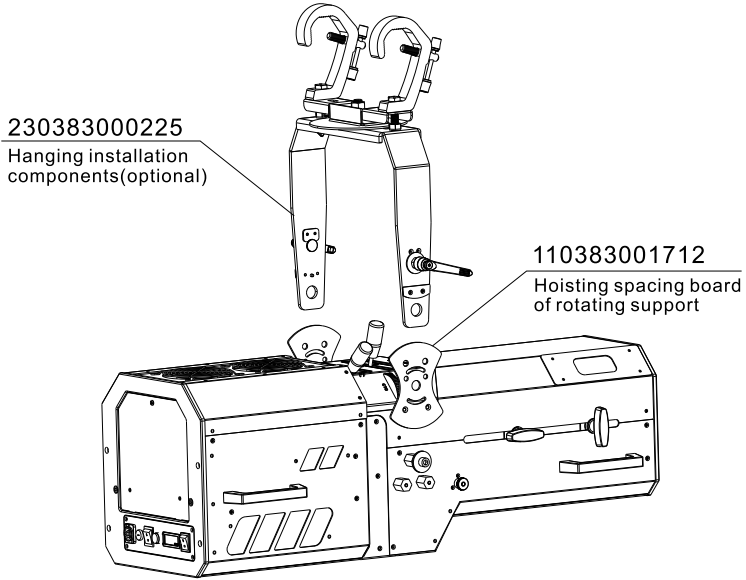
# 10. Ordering P/N

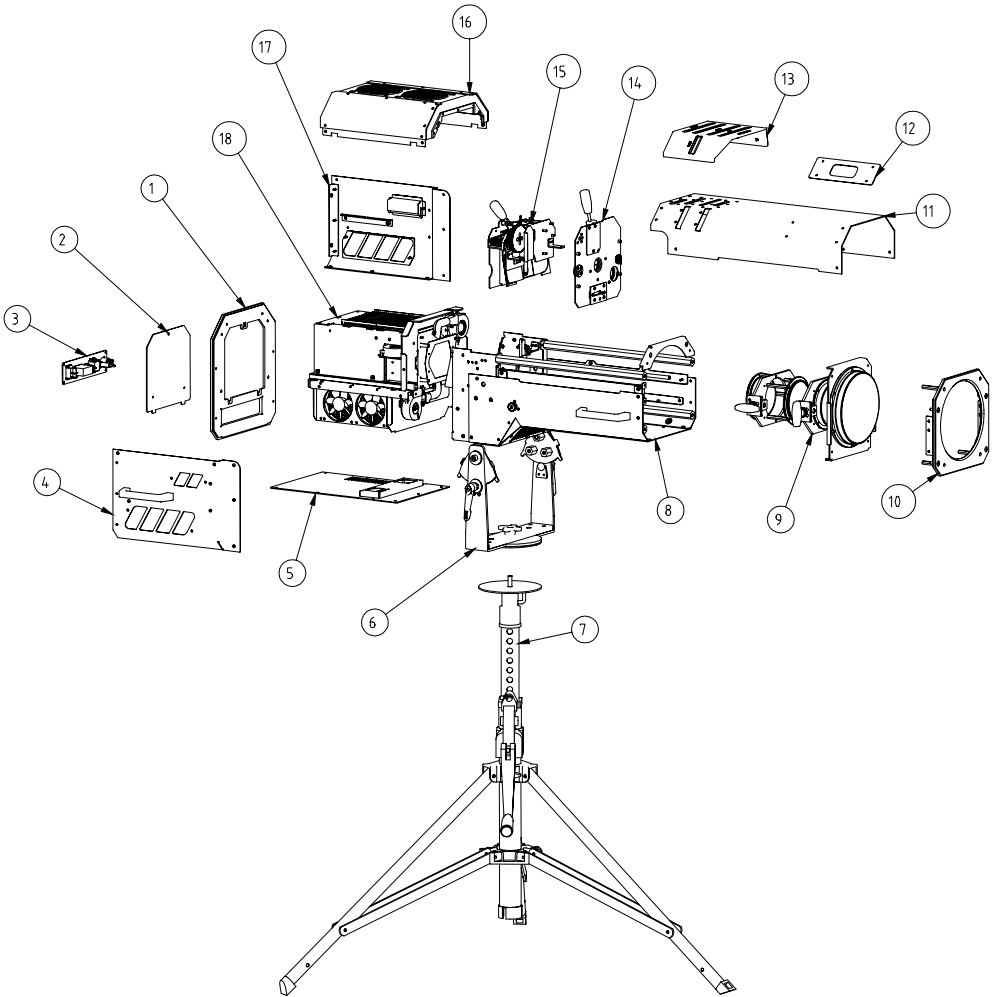
Spare parts for FINE 1400SF/ 1800SF/2000SF

Item	Name	Specification	Ordering index
1	Two wire switch	250V, 16A	299901010005
2	Light-emitting lens	–	200383000027
3	Electronic igniter	Operating voltage 25A	330003200012
4	Female power socket	20A/250V	300502000019
5	Fuse box	250V 15A	309904063005
6	1400W lamp	OSRAM Lok-it 1400W/PS Brilliant	180101000073
	1800W lamp	OSRAM Lok-it 1800W/PS	180101000074
	2000W lamp	OSRAM Lok-it 2000W/PS Brilliant	180101000076
7	Temperature control switch	250V, 16A 130°	299902030006
8	Electronil ballast	1400W	330002200006
		1800W	330002200021
		2000W	330002200028
9	Fan	DC24V, 0.17A	150102000019
10	Fan	AC230V, 0.07A	159911023003
11	porcelain terminal base	250V, 16A	300601000002
12	Insulating glass	113X46.8X2	220395000079
13	Dimming frost glass	69.7X17.5	200395000020
14	Focus lens 1	diameter 112	200383000030
15	Focus lens 2	diameter 116	200383000029

# 11. Installation instructions for optional parts

Hanging installation components for FINE 1400/1800/2000 SF (optional)

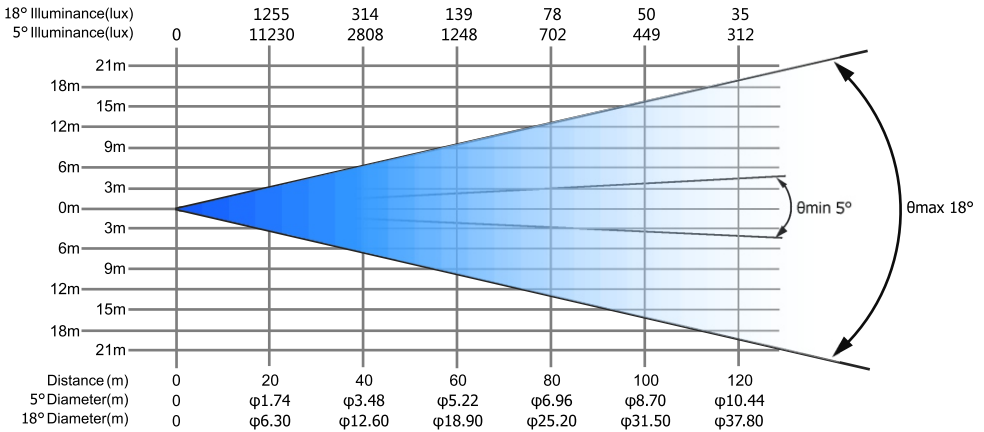
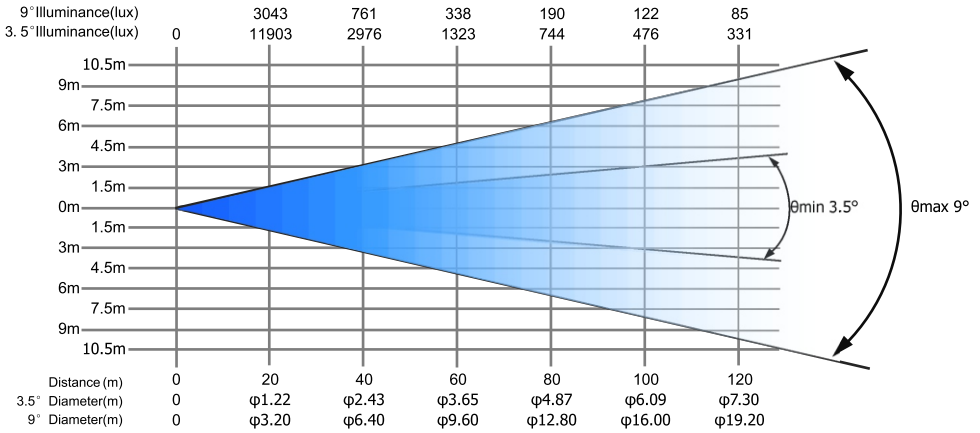




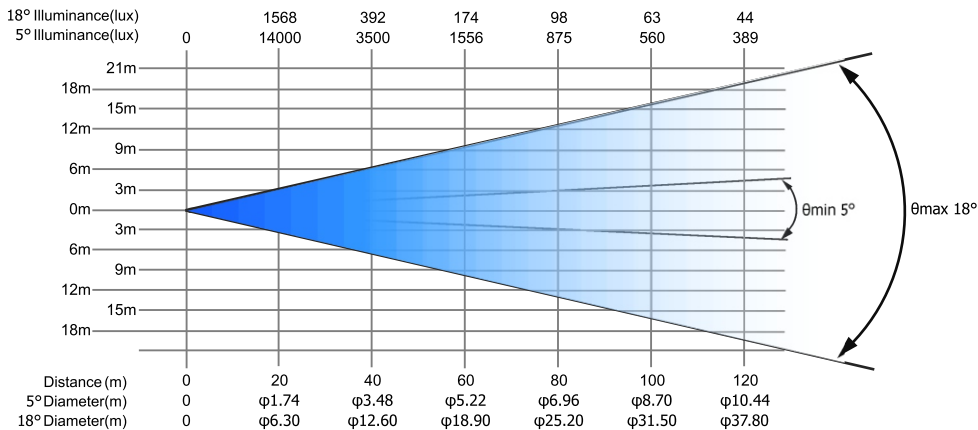
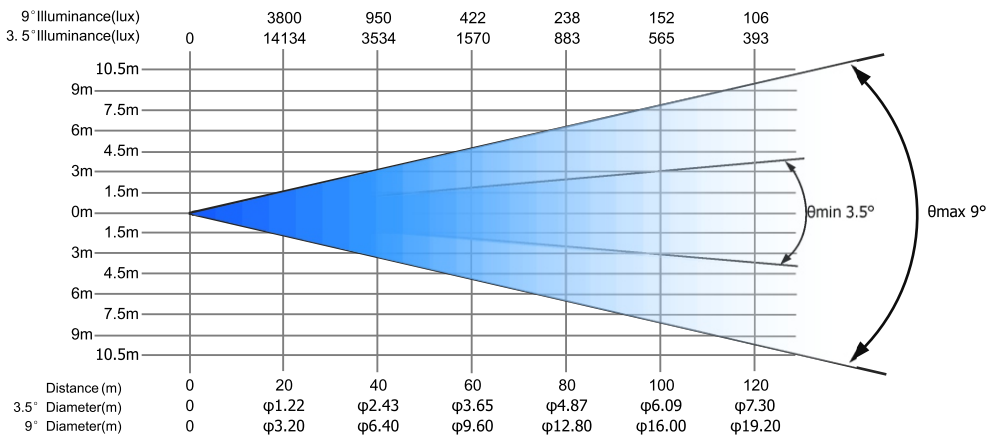
NO.	Name	NO.	Name
1	Rear end cover	10	Front cover plate
2	Cover plate of rear end cover	11	Front end upper cover plate
3	Power input mounting assembly	12	Fixing plate for sighting device
4	Side plate of fixture body assembly 1	13	Rubber parts of top cover light blocking
5	Baseplate assembly	14	Focusing amplification assembly
6	Swinging mounting	15	Dimming color temperature assembly
7	Hand operated body support	16	Rear upper cover assembly
8	Body assembly	17	Side plate of fixture body assembly 2
9	Lens assembly	18	New light source assembly

# Attached 1: Luminous intensity diagram

## FINE 1400 SF Luminous intensity diagram



# FINE 1800 SF Luminous intensity diagram





# FINE 2000 SF Luminous intensity diagram

