

# Contents

---

P/N: 390722000043    Version: A

1. Safety information.....	02
2. Product introduction.....	03
2.1 Fixture dimensions.....	03
2.2 Hanging dimensions.....	04
3. Package & delivery.....	04
3.1 Included items.....	04
3.2 Transportation lock.....	05
3.3 Fixture package.....	05
4. Installation.....	06
4.1 Equipment installation.....	06
4.2 Data link.....	06
5. AC power supply.....	08
6. Technical feature.....	09
7. Control panel.....	10
7.1 Control panel introduction.....	10
7.2 Control panel operational.....	10
8. Display panel operational function detail.....	11
9. Control Channel.....	12
10. Routine maintenance.....	37
11. Parts Code.....	37
Attached 1. FINE 600C PANEL exploded drawing	
Attached 2. Photometric diagram	
Attached 3. Wiring diagram	

# 1/ Safety information

The following symbols are used to identify important safety information on the product and in this manual:



**DANGER!**  
Safety hazard.  
Risk of severe injury or death.



**DANGER!**  
Refer to manual before installing, powering or servicing.



**DANGER!**  
Hazardous voltage. Risk of severe or lethal electric shock.



**Warning!**  
Fire hazard.



**Warning!**  
Burn hazard. Hot surface. Do not touch.



**Warning!**  
Risk of eye injury. Safety glasses must be worn.



**Warning!**  
Do not stare at the bulb which is still on.



**Warning!**  
Risk of hand injury. Safety gloves must be worn.



Replace any cracked protective shield.



Minimum distance from lighted objects is 0.5m.



For indoor use only.



Do not direct lens to sun ray or strong light!



Do not actuate during operating.



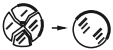
Luminaires not suitable for direct mounting on normally flammable surfaces (suitable only for mounting on non-combustible surfaces)

$t_c \dots ^\circ C$

The surface's temperature is 63°C.

$t_a \dots C$

Rated maximum ambient temperature is 45°C.



## Protection against explosion

Protection screen must be replaced if they have become visible damaged to such an extent that their effectiveness is impaired.



## Protection against burning or fire

Keep flammable materials far away from the fixture. Minimum distance from the flammable materials is 0.5m.

## Declaration

This product has passed the final check for both functionalities and package when delivered from the factory. All users should observe the instructions and pay attentions to the warnings covered by this manual. Unreasonable damages resulting from unintended operations or not heeding instructions covered by this manual will void the warranty. Specifications in this manual intend for reference only, the fixture delivered takes the priority. Any future modification pertaining to content of this manual, there will be no particular notifications. FINE ART reserves all copyrights. To obtain the latest information about software update, hardware and other files, please visit FINE ART online website.

# 2 / Product introduction

## 2.1 Fixture dimensions

### ■ Front view

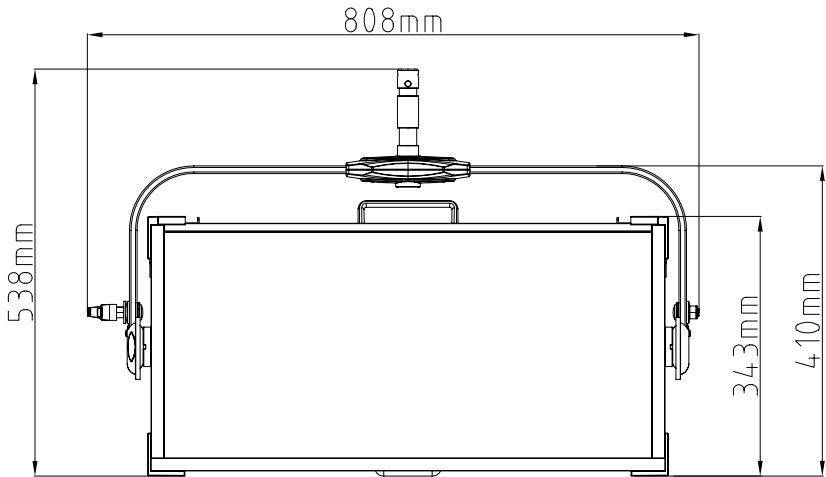


Fig.(2.1-1)

### ■ Side view

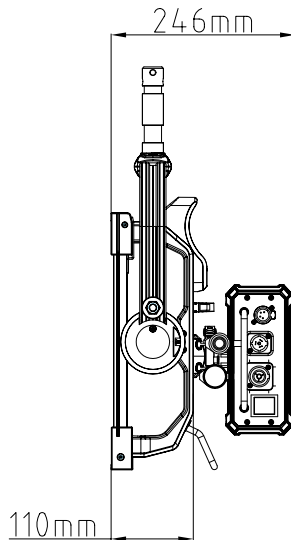


Fig.(2.1-2)

## 2.2 Hanging dimensions

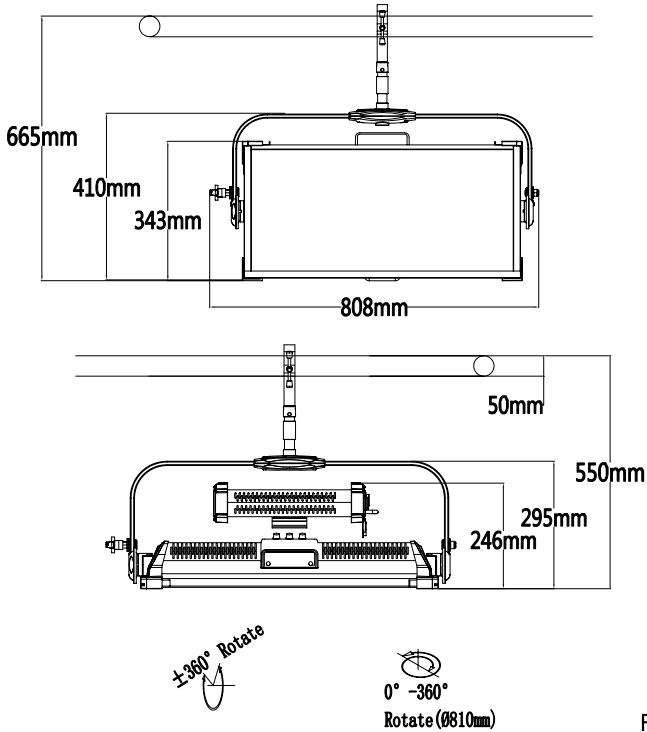


Fig.(2.2-1)

# 3 / Package & delivery

## 3.1 Included items

Fixture is packed with case .One single standard case carries 1 fixture,  
Included items listed below:

Accessories	QTY	UNIT
Clamp assembly	1	PCS
Safety wire	1	PCS
Power cord	1	PCS
Signal cable	1	PCS
User manual	1	PCS
Warranty card	1	PCS
Qualified certificate	1	PCS
Accessory assembly 1(optional)	1	SET
Accessory assembly 2(optional)	1	SET

Table(3.1-1)



### 3.2 Transportation lock

For the ease of transit, please tight nut the handle.

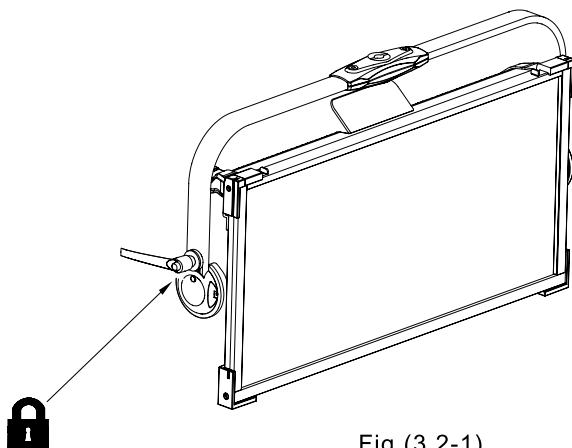


Fig.(3.2-1)

### 3.3 Fixture package

1. Before packaging, please disconnect the fixture from power supply and wait at least 15 minutes cooling.
2. Remove dust buildup on the exterior surface, tight the transportation lock.
3. Pack the fixture with an inner bag, and place gently it onto the intended mounting recesses within the road-case.
4. Pack the included accessories into the road-case.



Notice!

Inspect the units upon reception. If there is any evident damage due to transit, do not use the units and notify FINE ART local distributor or contact Guangzhou CHAIYI LIGHT CO.,Ltd directly.

# 4 / Installation

## 4.1 Equipment installation

User must be termly check the fixture and its install materials, if you are non-qualified to check that, please contact the professional person. Wrong installation will result in fatal hazard.

The fixture working ambient temperature are between 0°C-45°C, When ambient temperature over the range, don't operate the fixture. When the fixture are in installation, teardown, remove or servicing, don't stand in under the fixture.

Operator must be insure the fixture are safely connected. The input power supply must match the specific type demanded by the fixture. Make sure the installation check annually by professional person.

Please connect a safety wire to the truss after the fixture is installation on the truss.

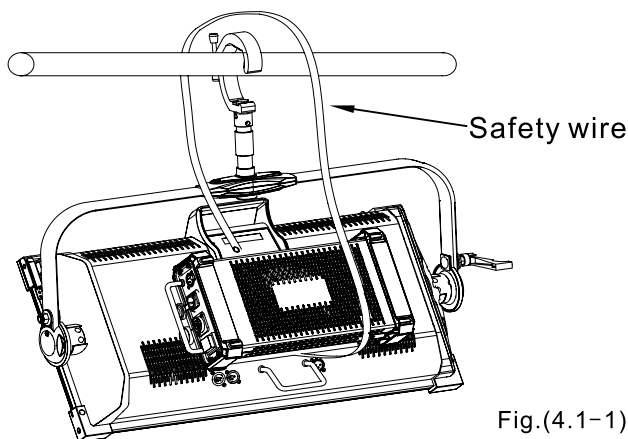


Fig.(4.1-1)

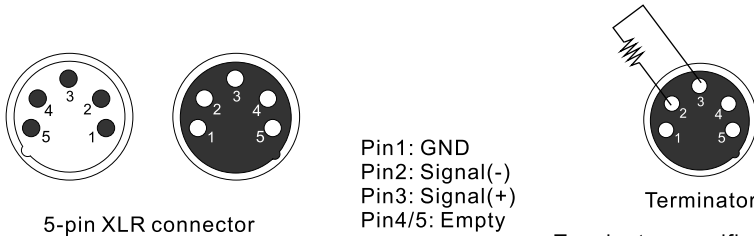
## 4.2 Data link

### ■ DMX512 Connection

**Note:** The signal cable was type X connection.

Type X connection—if the external flexible cable or cord of this fixture is damaged, it shall be replaced by a special cord or cord exclusively available from the manufacturer or his service agent.

5-pin XLR connectors are provided for fixture DMX input and output. Pin 1 is for earthing, pin 2 is for minus signals, and pin 3 is for plus signals. To prevent and absorb the reflection and interference of the signals, each data link must be ended by a respective terminator.



Terminator specification: a 120Ω plug-in resistor with rated power of 0.25W, soldered between pin 2 and pin 3 at the end of respective data link.

Fig.(4.2-1)

Connect the 5-pin output of a lighting controller to the 5-pin input of a first fixture on the link, then connect the 5-pin output of the first fixture to the 5-pin input of a second fixture. Similarly, repeat the above connection step and end the data link with a plug-in terminator. Shown as Fig. 4.2-2 below.

If long-distance data transfer occurs, a DMX512 signal amplifier is necessary. The added amplifier is inserted between the lighting controller and the first fixture on the basis of a normal data link.

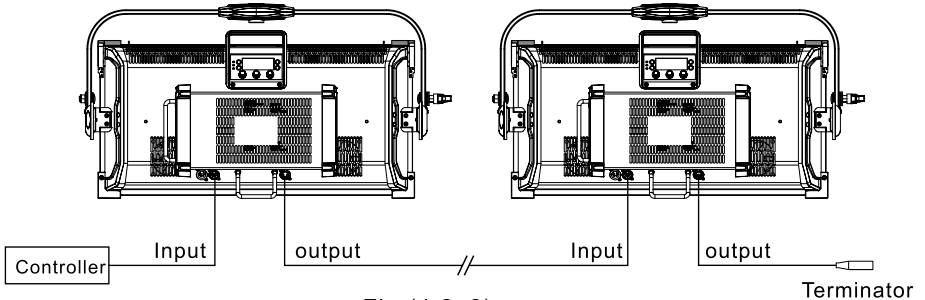


Fig.(4.2-2)



**Notice!**

1. No more than one signal input or output can occur in one fixture.
2. Don't split a data link via output ports on the fixture, use a DMX512 signal amplifier instead, if necessary.
3. Use only shielded-pair cables, and standard microphone cable is not reliable for long-distance data transfer.

# 5 / AC power supply

## ■ Power connection

Notice: Type X attachment for power supply connection.

Method of attachment of the cable or cord such that any replacement can only be made by the manufacturer, his service agent or similarly qualified person.

The person must have the relevant qualification to connect the power supply. The AC power voltage shall be suitable to the lamp provided with over-loading or cree page protection.

Connecting the equipment to the power supply, do not connect to silicon boxsystem, or else, it will destroy the equipment. The fixture is provided with standard 3-pin socket. Please according to table 5.1-1 connect to power supply, Yellow/green line must be earthed. If you still have any question to the installation, please consultant with the experienced electrician.

Color	Wire	Mark
Brown	Live	L
Blue	Neutral	N
Yellow/Green	Earth	⊕

### Note:

Do not connect in series exceed 2 units fixtures at 110V~, do not connect in series exceed 2 units fixtures at 220V~(including the first one).

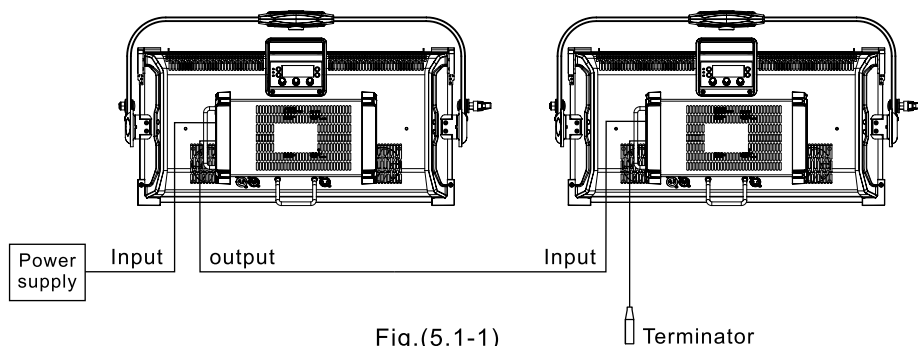


Fig.(5.1-1)

# 6 / Technical feature

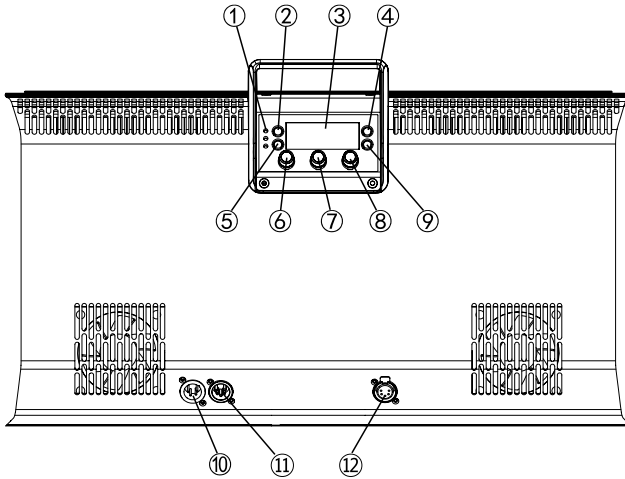
Technical feature	FINE 600C PANEL
Light source	Color light source RGBW four in one
Input voltage	100-240V~ 50/60Hz
Input current	5.3 A
Input power	530W
Power factor	PF≥0. 98
Angle	70°~110°
Max luminous flux	33279 lm
Efficiency	66.15 lm/W
Control channel	12/20/7/10/10/16/9/14/7/17/27/17/33/13
Safety protection	Over current, over voltage and overheating protection
Control mode	DMX512, wireless DMX512(optional)
Work environment	0°C~45°C
Fixture dimension	808×246×538mm
Package dimension	Flight case:850×760×647mm
Weight	Net weight: 20.5 kg, Gross weight: flight case: 95.5kg, carton: 20kg
Package	3pcs/flight case, 1pcs/carton
IP rate	IP 20

**Note:**

The light source is not recommended to be replaced by user. Ask qualified maintenance personnel to replace the light source if any damage or overheat deformation occurs.

# 7 / Control panel

## 7.1 Control panel introduction



1. LED signal
2. Menu
3. Display screen
4. Mode
5. Enter
6. Intensity/selector
7. Auxiliary Knob 1
8. Auxiliary Knob 2
9. Preset
10. Power in
11. DMX in
12. DMX out

Fig.(7.1-1)

## 7.2 Control panel operation introduction

### 1. LED signal indication

DMX512 signal input: The word “DMX” appears in the upper-right corner of the screen.

### Shortcut:

1. Pressing the menu button and down button together to reverse the screen display.
2. At the main interface, press the up button to enter the address setting, and press the down button to enter the manual control.
3. Screen flashing indicates no signal input or error. This function can be closed in backlight warning.

# 8 / Display panel operational function detail

FirstLevel	SecondLevel	ThirdLevel	Option/Value	Default	Description	
Address	DMX Addr		1-512	1	DMX Address	
	Ch Mode		CctRgwb 12/CctRgwb16b 20 /CCT 7/ CCT16b 10/CctHsi 10 /CctHsi16b 16/Rgbw 9 /Rgwb16b 14/HSI 7/GELV2 17 /Pixels 27/leCctRgwb 17 /leCctRgwb16b 33/Effect8B 13	CctRgwb 12	Channel Mode	
	RecvMode		Auto/DMX/ArtNet	Auto	1.Auto: The device selects signal source automatically; 2.DMX: The device only receive DMX Signal; 3.ArtNet:The device only receive ArtNet Signal;	
	Net Setting	Net2Dmx		OFF/ON	OFF	ON: The device only receive ArtNet Signal which convert to the DMX signal.
		Net		0->127	0	ArtNet4 Net
		Sub-Net		0->15	0	ArtNet4 Sub-Net
		Universe		0->15	0	ArtNet4 Universe
		ArtNetAddr		1->512	1	ArtNet Address
		IPAddrA		0->255	2	IPAddress A
		IPAddrB		0->255	168	IPAddress B
		IPAddrC		0->255	0	IPAddress C
		IPAddrD		0->255	2	IPAddress D
		MaskA		0->255	255	MaskA
	MaskB		0->255	0	MaskB	
	MaskC		0->255	0	MaskC	
MaskD		0->255	0	MaskD		
Option	PowerMode		Power/Stand/Theater	Stand	It is maximum noise when the value is Power; It is lower noise when the value is Stand; It is lowest noise when the value is Theater;	
	DimmCurve		Default/Power2/Power3/ Linear/S	Default		
	DimmFreq		1.5K/6K/12K/24K	1.5K	Dimmer frequency	
	DimmTrans		Off/Lev1/Lev2/Lev3	Lev3	Dimmer transition level, highest is smoth	
	VU TYPE		H CRI/OFF/H Light	H CRI		
RgwbMode		Old/New	New	The Old option is classical rgwb mode The Old option is optimize rgwb mode		
Advance	CheckCode	Code1	0-255	0		
		Code2	0-255	0		
		Code3	0-255	0		
		Code4	0-255	0		
	OffsetAdj	Clr_R1->Clr_W6	0-65535		Reserved	
	Language		ENG/CHS	ENG		
	BKlhtTime		30Sec/60Sec/ON	30Sec	Display Screen Background Lighting time	
	Brightness		0-10	10	Display Screen Background Brightness	
	BKWarn		ON/OFF	ON	Display Screen Background Lighting warning	
	Config1		Load/Save	Load	User Config1 Load/Save	
Config2		Load/Save	Load	User Config2 Load/Save		
ManualMode		None/CCT/HSI/RGBW/ Tungsten/xy/GEL/Dimm	None	Manual Ctrl Mode		
Manual	ChannCtrl		Channel Function Manual Ctrl			
	DispRev		Action	Action	Display Screen Reverse	
Info	Reset				Reset	
	Fixture		F600C P		Device short name	
	DispB Ver		V0.xx		Version of display board	
	DispB Temp		Temperature of display board			
	ManulD		05EF		Manufactory ID	
	DeviceID		XXXXXXXX		Device ID	
	PwrOnTim		X.X H		PowerOn time	
	LightOnTim		X.X H		LightOn time	
	VU ID		4v1.0.xx	4v1.0.8849	VU Version	
	CCT Min			2800	2800	
	CCT Max			10000	10000	
	Duv Min			-10000	-10000	

# 9 / Control Channel

Present		
ID	DMX Value	Function
1	0->11	No Effect
2	12->23	User Preset 01 (Reserved)
3	24->35	User Preset 02 (Reserved)
4	36->47	User Preset 03 (Reserved)
5	48->59	User Preset 04 (Reserved)
6	60->71	User Preset 05 (Reserved)
7	72->83	User Preset 06 (Reserved)
8	84->98	User Preset 07 (Reserved)
9	96->107	User Preset 08 (Reserved)
10	108->119	User Preset 09 (Reserved)
11	120->131	User Preset 10 (Reserved)
12	132->143	Preset 01(2900K 0 +/-GN)
13	144->155	Preset 02(3200K 0 +/-GN)
14	156->167	Preset 03(5600K 0 +/-GN)
15	168->179	Preset 04(6500K 0 +/-GN)
16	180->191	Preset 05(120°Hue 100% Saturation)
17	192->203	Preset 06(240°Hue 100% Saturation)
18	204->215	Preset 07(Rosco 3408 5600K)
19	216->227	Preset 08(Lee 187,3200K)
20	228->239	Preset 09(Rosco 3152,3200K)
21	240->255	Preset 10(Lee 162,3200K)



## FINE 600C PANEL CctRgbw

ID	Specific	Value	Function
1	Dimmer	0->255	
2	ColorTempera	0->255 CCT 2800K~10000K	
3	GreMag	0->10 neutral/no effect 11->20 full minus green 021->119 -99%~-1% 120->145 neutral/no effect 146->244 1%~99% 245->255 full plusgreen	
4	Crossfade	0->255	Crossfade to Color
5	Red	0->255	
6	Green	0->255	
7	Blue	0->255	
8	White	0->255	
9	Function	0->9 N/A 10->57 High Fan 58->105 Low Fan 106->153 Live Fan 154->201 N/A 202->249 N/A 251->255 N/A	
10	Preset	See table Preset	
11	Strobe	0->19 OFF 20->255 ON(1Hz -> 25 Hz)	
12	Reserve	0->255 NONE	

## FINE 600C PANEL CctRgbw16B

ID	Specific	Value	Function
1	Dimmer	0->255	
2	DimmerFine	0->255	
3	ColorTempera	0->255 CCT 2800K~10000K	
4	ClrTmp Fine	0->255	
5	GreMag	0->17 neutral/no effect 18->38 full minus green 39->118 -99%~-1% 119->156 neutral/no effect 157->235 1%~99% 236->255 full plusgreen	
6	GreMag Fine	0->255	Green/Magenta Fine
7	Crossfade	0->255	Crossfade to Color
8	CrsfadeFine	0->255	
9	Red	0->255	
10	Red Fine	0->256	
11	Green	0->257	
12	Green Fine	0->258	
13	Blue	0->259	
14	Blue Fine	0->260	
15	White	0->261	
16	White Fine	0->262	
17	Function	0->9 N/A 10->57 High Fan 58->105 Low Fan 106->153 Live Fan 154->201 N/A 202->249 N/A 251->255 N/A	
18	Preset	See table Preset	
19	Strobe	0->19 OFF 20->255 ON(1Hz -> 25 Hz)	
20	Reserve	0->255 NONE	

## FINE 600C PANEL CCT

ID	Specific	Value	Function
1	Dimmer	0->255	
2	ColorTempera	0->255 CCT 2800K~10000K	
3	GreMag	0->10 neutral/no effect 11->20 full minus green 021->119 -99%~-1% 120->145 neutral/no effect 146->244 1%~99% 245->255 full plusgreen	
4	Function	0->9 N/A 10->57 High Fan 58->105 Low Fan 106->153 Live Fan 154->201 N/A 202->249 N/A 251->255 N/A	
5	Preset	See table Preset	
6	Strobe	0->19 OFF 20->255 ON(1Hz -> 25 Hz)	
7	Reserve	0->255 NONE	

## FINE 600C PANEL CCT16B

ID	English	Value	Function
1	Dimmer	0->255	
2	DimmerFine	0->255	
3	ColorTempera	0->255 CCT 2800K~10000K	
4	ClrTmp Fine	0->255	
5	GreMag	0->17 neutral/no effect 18->38 full minus green 39->118 -99%~-1% 119->156 neutral/no effect 157->235 1%~99% 236->255 full plusgreen	Green/Magenta Value
6	GreMag Fine	0->255	
7	Function	0->9 N/A 10->57 High Fan 58->105 Low Fan 106->153 Live Fan 154->201 N/A 202->249 N/A 251->255 N/A	
8	Preset	See table Preset	
9	Strobe	0->19 OFF 20->255 ON(1Hz -> 25 Hz)	
10	Reserve	0->255 NONE	

FINE 600C PANEL CctHsi			
ID	Specific	Value	Function
1	Dimmer	0->255	
2	ColorTempera	0->255 CCT 2800K~10000K	
3	GreMag	0->10 neutral/no effect 11->20 full minus green 021->119 -99%~-1% 120->145 neutral/no effect 146->244 1%~99% 245->255 full plusgreen	
4	Crossfade	0->255	
5	Hue	0->255 0°~360°	
6	Saturation	0->255 0-> full saturated	
7	Function	0->9 N/A 10->57 High Fan 58->105 Low Fan 106->153 Live Fan 154->201 N/A 202->249 N/A 251->255 N/A	
8	Preset	See table Preset	
9	Strobe	0->19 OFF 20->255 ON(1Hz -> 25 Hz)	
10	Reserve	0->255 NONE	

FINE 600C PANEL CctHsi16B			
ID	Specific	Value	Function
1	Dimmer	0->255	
2	DimmerFine	0->255	
3	ColorTempera	0->255 CCT 2800K~10000K	
4	ClrTmp Fine	0->255	
5	GreMag	0->17 neutral/no effect 18->38 full minus green 39->118 -99%~-1% 119->156 neutral/no effect 157->235 1%~99% 236->255 full plusgreen	
6	GreMag Fine	0->255	
7	Crossfade	0->255	
8	CrsfadeFine	0->255	
9	Hue	0->255 0°~360°	
10	Hue Fine	0->255 Hue Fine	
11	Saturation	0->255 0-> full saturated	
12	Sat Fine	0->255 Saturation Fine	
13	Function	0->9 N/A 10->57 High Fan 58->105 Low Fan 106->153 Live Fan 154->201 N/A 202->249 N/A 251->255 N/A	
14	Preset	See table Preset	
15	Strobe	0->19 OFF 20->255 ON(1Hz -> 25 Hz)	
16	Reserve	0->255 NONE	

FINE 600C PANEL RGBW			
ID	Specific	Value	Function
1	Dimmer	0->255	
2	Red	0->255	
3	Green	0->255	
4	Blue	0->255	
5	White	0->255	
6	Function	0->9 N/A 10->57 High Fan 58->105 Low Fan 106->153 Live Fan 154->201 N/A 202->249 N/A 251->255 N/A	
7	Preset	See table Preset	
8	Strobe	0->19 OFF 20->255 ON(1Hz -> 25 Hz)	
9	Reserve	0->255 NONE	

FINE 600C PANEL RGBW 16B			
ID	Specific	Value	Function
1	Dimmer	0->255	
2	DimmerFine	0->255	
3	Red	0->255	
4	Red Fine	0->255	
5	Green	0->255	
6	Green Fine	0->255	
7	Blue	0->255	
8	Blue Fine	0->255	
9	White	0->255	
10	White Fine	0->255	
11	Function	0->9 N/A 10->57 High Fan 58->105 Low Fan 106->153 Live Fan 154->201 N/A 202->249 N/A 251->255 N/A	
12	Preset	See table Preset	
13	Strobe	0->19 OFF 20->255 ON(1Hz -> 25 Hz)	
14	Reserve	0->255 NONE	

FINE 600C PANEL HSI			
ID	Specific	Value	Function
1	Hue	0->255	
2	Saturation	0->255	
3	Dimmer	0->255	
4	Function	0->9 N/A 10->57 High Fan 58->105 Low Fan 106->153 Live Fan 154->201 N/A 202->249 N/A 251->255 N/A	
5	Preset	See table Preset	
6	Strobe	0->19 OFF 20->255 ON(1Hz -> 25 Hz)	
7	Reserve	0->255 NONE	

## FINE 600C PANEL GELV2

ID	Specific	Value	Function
1	Dimmer	0->255	
2	G1 CCT Sel	0->127 3200K 128->255 5600K	
3	G1 CMType	0->84 Best Color 85->170 Brightest 171->255 No Gel	
4	G1 Brand	0->127 Rosco 128->255 LEE filters	
5	G1 Category	0->50 Category1 Rosco:Color correction/LEE: Color correction 51->101 Category2 Rosco:CalColor/LEE:Color Filters 102->152 Category3 Rosco:Storaro Selection/LEE:600 Series 153->203 Category4 Rosco:Cinelux/LEE:Cosmetic Filters 204->255 Category5 LEE:700 Series	
6	G1 Color	0->255 See the table below	
7	Crossfade to gel	0->255 Gel1 -> Gel2	
8	G2 CCT Sel	0->127 3200K 128->255 5600K	
9	G2 CMType	0->84 Best Color 85->170 Brightest 171->255 No Gel	
10	G2 Brand	0->127 Rosco 128->255 LEE filters	
11	G2 Category	0->50 Category1 Rosco:Color correction/LEE: Color correction 51->101 Category2 Rosco:CalColor/LEE:Color Filters 102->152 Category3 Rosco:Storaro Selection/LEE:600 Series 153->203 Category4 Rosco:Cinelux/LEE:Cosmetic Filters 204->255 Category5 LEE:700 Series	
12	G2 Color	0->255 See the table below	
13	GelTransTyp	0->51 Direct 52->102 Through White Point 103->153 Through Black Point 154->204 Over White Point 205->255 Under White point	
14	Function	0->9 N/A 10->57 High Fan 58->105 Low Fan 106->153 Live Fan 154->201 N/A 202->249 N/A 251->255 N/A	
15	Preset	See table Preset	
16	Strobe	0->19 OFF 20->255 ON(1Hz -> 25 Hz)	
17	Reserve	0->255 NONE	

Category 1, Rosco, Color correction

ID	Dmx Value	Gel Name	GEL
1	0 ->1	Full CTB	3202
2	2 ->3	3/4 CTB	3203
3	4 ->5	1/2 CTB	3204
4	6 ->7	1/3 CTB	3206
5	8 ->9	1/4 CTB	3208
6	10 ->11	1/8 CTB	3216
7	12 ->13	Double CTB	3220
8	14 ->15	Full CTO	3407
9	16 ->17	3/4 CTO	3411
10	18 ->19	1/2 CTO	3408
11	20 ->21	1/4 CTO	3409
12	22 ->23	1/8 CTO	3410
13	24 ->25	Double CTO	3420
14	26 ->27	Full CTS	3441
15	28 ->29	1/2 CTS	3442
16	30 ->31	1/4 CTS	3443
17	32 ->33	1/8 CTS	3444
18	34 ->35	Full Plusgreen	3304
19	36 ->37	1/2 Plusgreen	3315
20	38 ->39	1/4 Plusgreen	3316
21	40 ->41	1/8 Plusgreen	3317
22	42 ->43	Full Minusgreen	3308
23	44 ->45	3/4 Minusgreen	3309
24	46 ->47	1/2 Minusgreen	3313
25	48 ->49	1/4 Minusgreen	3314
26	50 ->51	1/8 Minusgreen	3318
27	52 ->53	Fluorofilter	3310
28	54 ->55	Industrial Vapor	3150
29	56 ->57	Urban Vapor	3152
30	58 ->59	Tough Y-1	3107
31	60 ->61	Tough MT 54	3134
32	62 ->63	Tough MTY	3106
33	64 ->65	Tough MT2	3102
34	66 ->255	Reserved for future use	



Category 2, Rosco, CalColor

ID	Dmx Value	Gel Name	GEL
1	0 ->1	15 Blue	4215
2	2 ->3	30 Blue	4230
3	4 ->5	60 Blue	4260
4	6 ->7	90 Blue	4290
5	8 ->9	7 Cyan	4307
6	10 ->11	15 Cyan	4315
7	12 ->13	30 Cyan	4330
8	14 ->15	60 Cyan	4360
9	16 ->17	90 Cyan	4390
10	18 ->19	15 Green	4415
11	20 ->21	30 Green	4430
12	22 ->23	60 Green	4460
13	24 ->25	90 Green	4490
14	26 ->27	15 Yellow	4515
15	28 ->29	30 Yellow	4530
16	30 ->31	60 Yellow	4560
17	32 ->33	90 Yellow	4590
18	34 ->35	15 Red	4615
19	36 ->37	30 Red	4630
20	38 ->39	60 Red	4660
21	40 ->41	90 Red	4690
22	42 ->43	15 Magenta	4715
23	44 ->45	30 Magenta	4730
24	46 ->47	60 Magenta	4760
25	48 ->49	90 Magenta	4790
26	50 ->51	15 Pink	4815
27	52 ->53	30 Pink	4830
28	54 ->55	60 Pink	4860
29	56 ->57	90 Pink	4890
30	58 ->59	15 Lavender	4915
31	60 ->61	30 Lavender	4930
32	62 ->63	60 Lavender	4960
33	64 ->65	90 Lavender	4990
34	66 ->255	Reserved for future use	

Category 3, Rosco, Storaro Selection

ID	Dmx Value	Gel Name	GEL
1	0 ->1	VS Red	
2	2 ->3	VS Orange	2202
3	4 ->5	VS Yellow	2003
4	6 ->7	VS Green	2004
5	8 ->9	VS Cyan	2005
6	10 ->11	VS Azure	2006
7	12 ->13	VS Blue	2007
8	14 ->15	VS Indigo	2008
9	16 ->17	VS Violet	2009
10	18 ->19	VS Magenta	2010
11	20 ->255	Reserved for future use	

Category 4, Rosco, Cinelux

ID	Dmx Value	Gel Name	GEL
1	0 ->1	Bastard Amber	2
2	2 ->3	Pale Bastard Amber	302
3	4 ->5	No Color Straw	6
4	6 ->7	Pale Gold	8
5	8 ->9	Daffodil	310
6	10 ->11	Straw	12
7	12 ->13	Light Amber	16
8	14 ->15	Gallo Gold	316
9	16 ->17	Light Flame	17
10	18 ->19	Flame	18
11	20 ->21	Mayan Sun	318
12	22 ->23	Golden Amber	21
13	24 ->25	Soft Golden Amber	321
14	26 ->27	Orange	23
15	28 ->29	Henna Sky	325
16	30 ->31	Light Red	26
17	32 ->33	No Color Pink	33
18	34 ->35	Blush Pink	333
19	36 ->37	Flesh Pink	34
20	38 ->39	Pale Rose Pink	37
21	40 ->41	Salmon	41
22	42 ->43	Deep Salmon	42
23	44 ->45	Middle Rose	44
24	46 ->47	Light Rose Purple	47
25	48 ->49	Surprise Pink	51
26	50 ->51	No Color Blue	60
27	52 ->53	Clearwater	360
28	54 ->55	Booster Blue	62
29	56 ->57	Tipton Blue	362
30	58 ->59	Blue Bell	364
31	60 ->61	Daylight Blue	65
32	62 ->63	Tharon Delft Blue	365
33	64 ->65	Cerulean Blue	375
34	66 ->67	Bermuda Blue	376
35	68 ->69	Green Blue	77
36	70 ->71	Alice Blue	378
37	72 ->73	Primary Blue	80
38	74 ->75	Baldassari Blue	381
39	76 ->77	Medium Blue	83
40	78 ->79	Pale Yellow Green	87
41	80 ->81	Light Green	88
42	82 ->83	Moss Green	89
43	84 ->85	Primary Green	91
44	86 ->87	Turquoise	92
45	88 ->89	Blue Green	93
46	90 ->91	Chocolate	99
47	92 ->255	Reserved for future use	

Category 1, LEE, Color correction

ID	Dmx Value	Gel Name	GEL
1	0 ->1	Double CTB	200
2	2 ->3	Full CTB	201
3	4 ->5	3/4 CTB	281
4	6 ->7	1/2 CTB	202
5	8 ->9	1/4 CTB	203
6	10 ->11	1/8 CTB	218
7	12 ->13	Double CTO	287
8	14 ->15	Full CTO	204
9	16 ->17	3/4 CTO	285
10	18 ->19	1/2 CTO	205
11	20 ->21	1/4 CTO	206
12	22 ->23	1/8 CTO	223
13	24 ->25	1 1/2 CTB	283
14	26 ->27	1 1/2 CTO	286
15	28 ->29	Full CTS	441
16	30 ->31	1/2 CTS	442
17	32 ->33	1/4 CTS	443
18	34 ->35	1/8 CTS	444
19	36 ->37	Full CTO + .3 ND	207
20	38 ->39	Full CTO + .6 ND	208
21	40 ->41	L.C.T. Yellow (Y1)	212
22	42 ->43	White Flame Green	213
23	44 ->45	LEE Fluorescent Green	219
24	46 ->47	Super Correction L.C.T. Yellow	230
25	48 ->49	Super Correction W.F. Green	232
26	50 ->51	H.M.I. (to Tungsten)	236
27	52 ->53	C.I.D. (to Tungsten)	237
28	54 ->55	C.S.I. (to Tungsten)	238
29	56 ->57	LEE Fluorescent 5700 Kelvin	241
30	58 ->59	LEE Fluorescent 4300 Kelvin	242
31	60 ->61	LEE Fluorescent 3600 Kelvin	243
32	62 ->63	LEE Plus Green	244
33	64 ->65	1/2 Plus Green	245
34	66 ->67	1/4 Plus Green	246
35	68 ->69	1/8 Plus Green	278
36	70 ->71	LEE Minus Green	247
37	72 ->73	1/2 Minus Green	248
38	74 ->75	1/4 Minus Green	249
39	76 ->77	1/8 Minus Green	279
40	78 ->255	Reserved for future use	

Category 2, LEE, Color Filters

ID	Dmx Value	Gel Name	GEL
1	0 ->1	Rose Pink	2
2	2 ->3	Lavender Tint	3
3	4 ->5	Medium Bastard Amber	4
4	6 ->7	Pale Yellow	7
5	8 ->9	Dark Salmon	8
6	10 ->11	Pale Amber Gold	9
7	12 ->13	Medium Yellow	10
8	14 ->15	Straw Tint	13
9	16 ->17	Surprise Peach	17
10	18 ->19	Fire	19
11	20 ->21	Medium Amber	20
12	22 ->23	Gold Amber	21
13	24 ->25	Dark Amber	22
14	26 ->27	Scarlet	24
15	28 ->29	Sunset Red	25
16	30 ->31	Bright Red	26
17	32 ->33	Light Pink	35
18	34 ->35	Medium Pink	36
19	36 ->37	Dark Magenta	46
20	38 ->39	Rose Purple	48
21	40 ->41	Light Lavender	52
22	42 ->43	Paler Lavender	53
23	44 ->45	Lavender	58
24	46 ->47	Mist Blue	61
25	48 ->49	Pale Blue	63
26	50 ->51	Sky Blue	68
27	52 ->53	Evening Blue	75
28	54 ->55	Just Blue	79
29	56 ->57	Deeper Blue	85
30	58 ->59	Lime Green	88
31	60 ->61	Moss Green	89
32	62 ->63	Dark Yellow Green	90
33	64 ->65	Spring Yellow	100
34	66 ->67	Yellow	101
35	68 ->69	Light Amber	102
36	70 ->71	Straw	103
37	72 ->73	Deep Amber	104
38	74 ->75	Primary Red	106
39	76 ->77	Light Rose	107
40	78 ->79	English Rose	108
41	80 ->81	Light Salmon	109
42	82 ->83	Middle Rose	110
43	84 ->85	Dark Pink	111
44	86 ->87	Magenta	113
45	88 ->89	Peacock Blue	115
46	90 ->91	Steel Blue	117
47	92 ->93	Light Blue	118
48	94 ->95	Deep Blue	120
49	96 ->97	LEE Green	121
50	98 ->99	Fern Green	122

51	100 ->101	Dark Green	124
52	102 ->103	Smokey Pink	127
53	104 ->105	Bright Pink	128
54	106 ->107	Marine Blue	131
55	108 ->109	Golden Amber	134
56	110 ->111	Deep Golden Amber	135
57	112 ->113	Pale Lavender	136
58	114 ->115	Special Lavender	137
59	116 ->117	Pale Green	138
60	118 ->119	Summer Blue	140
61	120 ->121	Pale Violet	142
62	122 ->123	Pale Navy Blue	143
63	124 ->125	No Color Blue	144
64	126 ->127	Apricot	147
65	128 ->129	Bright Rose	148
66	130 ->131	Gold Tint	151
67	132 ->133	Pale Gold	152
68	134 ->135	Pale Salmon	153
69	136 ->137	Pale Rose	154
70	138 ->139	Chocolate	156
71	140 ->141	Pink	157
72	142 ->143	No Color Straw	159
73	144 ->145	Slate Blue	161
74	146 ->147	Bastard Amber	162
75	148 ->149	Flame Red	164
76	150 ->151	Daylight Blue	165
77	152 ->153	Lilac Tint	169
78	154 ->155	Deep Lavender	170
79	156 ->157	Dark Steel Blue	174
80	158 ->159	Loving Amber	176
81	160 ->161	Dark Lavender	180
82	162 ->163	Light Red	182
83	164 ->165	Flesh Pink	192
84	166 ->167	Surprise Pink	194
85	168 ->169	Zenith Blue	195
86	170 ->171	True Blue	196
87	172 ->173	Alice Blue	197
88	174 ->175	Palace Blue	198
89	176 ->177	Regal Blue	199
90	178 ->255	Reserved for future use	

Category 3, LEE, 600 Series

ID	Dmx Value	Gel Name	GEL
1	0 ->1	Arctic White	600
2	2 ->3	Silver	601
3	4 ->5	Platinum	602
4	6 ->7	Moonlight White	603
5	8 ->9	Full CT 85	604
6	10 ->11	Industry Sodium	650
7	12 ->13	HI Sodium	651
8	14 ->15	Urban Sodium	652
9	16 ->17	LO Sodium	653
10	18 ->255	Reserved for future use	

Category 4, LEE, Cosmetic Filters

ID	Dmx Value	Gel Name	GEL
1	0 ->1	Cosmetic Peach	184
2	2 ->3	Cosmetic Silver Rose	186
3	4 ->5	Cosmetic Rouge	187
4	6 ->7	Cosmetic Highlight	188
5	8 ->9	Cosmetic Silver Moss	
6	10 ->11	Cosmetic Aqua Blue	191
7	12 ->13	Lily Frost	705
8	14 ->15	Shanklin Frost	717
9	16 ->17	Half Shanklin Frost	718
10	18 ->19	Durham Daylight Frost	720
11	20 ->21	Hampshire Rose	749
12	22 ->23	Durham Frost	750
13	24 ->25	Soft Amber Key 1	774
14	26 ->27	Soft Amber Key 2	775
15	28 ->29	Moroccan Frost	791
16	30 ->31	Blue Diffusion	217
17	32 ->33	Blue Frost	221
18	34 ->35	Daylight Blue frost	224
19	36 ->255	Reserved for future use	

Category 5, LEE, 700 series

ID	Dmx Value	Gel Name	GEL
1	0 ->1	Perfect Lavender	700
2	2 ->3	Provence	701
3	4 ->5	Special Pale Lavender	702
4	6 ->7	Cold Lavender	703
5	8 ->9	Lily	704
6	10 ->11	King Fals Lavender	706
7	12 ->13	Cool Lavender	708
8	14 ->15	Electric Lilac	709
9	16 ->17	Spir Special Blue	710
10	18 ->19	Cold Blue	711
11	20 ->21	Bedford Blue	712
12	22 ->23	Elysian Blue	714
13	24 ->25	Cabana Blue	715
14	26 ->27	Mikkell Blue	716
15	28 ->29	Colour Wash Blue	719
16	30 ->31	Berry Blue	721
17	32 ->33	Virgin Blue	723
18	34 ->35	Ocean Blue	724
19	36 ->37	Old Steel Blue	725
20	38 ->39	Steel Green	728
21	40 ->41	Liberty Green	730
22	42 ->43	Dirty Ice	731
23	44 ->45	Damp Squib	733
24	46 ->47	JAS Green	738
25	48 ->49	Bram Brown	742
26	50 ->51	Dirty White	744
27	52 ->53	Brown	746
28	54 ->55	Easy White	747
29	56 ->57	Seedy Pink	748
30	58 ->59	Wheat	763
31	60 ->61	Sun Colour Straw	764
32	62 ->63	LEE Yellow	765
33	64 ->65	Cardbox Amber	773
34	66 ->67	Nectarine	776
35	68 ->69	Millenium Gold	778
36	70 ->71	Bastard Pink	779
37	72 ->73	Terry Red	781
38	74 ->75	Blood Red	789
39	76 ->77	Moroccan Pink	790
40	78 ->79	Pretty n'Pink	794
41	80 ->81	Magical Magenta	795
42	82 ->255	Reserved for future use	

## FINE 600C PANEL Pixels

ID	Specific	Value	Function
1	Dimmer	0->255	
2	Light Strobe	0->19 OFF 20->255 ON(1Hz -> 25 Hz)	
3	Reserved		
4	ClrP1 R	0->255	
5	ClrP1 G	0->255	
6	ClrP1 B	0->255	
7	ClrP1 W	0->255	
8	ClrP2 R	0->255	
9	ClrP2 G	0->255	
10	ClrP2 B	0->255	
11	ClrP2 W	0->255	
12	ClrP3 R	0->255	
13	ClrP3 G	0->255	
14	ClrP3 B	0->255	
15	ClrP3 W	0->255	
16	ClrP4 R	0->255	
17	ClrP4 G	0->255	
18	ClrP4 B	0->255	
19	ClrP4 W	0->255	
20	ClrP5 R	0->255	
21	ClrP5 G	0->255	
22	ClrP5 B	0->255	
23	ClrP5 W	0->255	
24	ClrP6 R	0->255	
25	ClrP6 G	0->255	
26	ClrP6 B	0->255	
27	ClrP6 W	0->255	



## FINE 600C PANEL leCctRgbw

ID	Specific	Value	Function
1	Dimmer	0->255	
2	ColorTempera	0->255 CCT 2800K~10000K	
3	GreMag	0->10 neutral/no effect 11->20 full minus green 021->119 -99%~-1% 120->145 neutral/no effect 146->244 1%~99% 245->255 full plusgreen	Green/Magenta
4	Crossfade	0->255	White-Color Crossfade
5	Red	0->255	
6	Green	0->255	
7	Blue	0->255	
8	White	0->255	
9	2Dimmer	0->255	
10	2ColorTempera	0->255 CCT 2800K~10000K	
11	2GreMag	0->10 neutral/no effect 11->20 full minus green 021->119 -99%~-1% 120->145 neutral/no effect 146->244 1%~99% 245->255 full plusgreen	
12	2Crossfade	0->255	Crossfade to Color
13	2Red	0->255	
14	2Green	0->255	
15	2Blue	0->255	
16	2White	0->255	
17	Function	0->9 N/A 10->57 High Fan 58->105 Low Fan 106->153 Live Fan 154->201 N/A 202->249 N/A 251->255 N/A	

## FINE 600C PANEL leCctRgBw 16B

ID	Specific	Value	Function
1	Dimmer	0->255	
2	DimmerFine	0->255	
3	ColorTempera	0->255 CCT 2800K~10000K	
4	ClrTmp Fine	0->255	
5	GreMag	0->17 neutral/no effect 18->38 full minus green 39->118 -99%~-1% 119->156 neutral/no effect 157->235 1%~99% 236->255 full plusgreen	Green/Magenta Value
6	GreMag Fine	0->255	Green/Magenta Fine
7	Crossfade	0->255	White-Color Crossfade
8	CrsfadeFine	0->255	
9	Red	0->255	
10	Red Fine	0->255	
11	Green	0->255	
12	Green Fine	0->255	
13	Blue	0->255	
14	Blue Fine	0->255	
15	White	0->255	
16	White Fine	0->255	
17	2Dimmer	0->255	
18	2DimmerFine	0->255	
19	2ColorTempera	0->255 CCT 2800K~10000K	
20	2ClrTmp Fine	0->255	
21	2GreMag	0->17 neutral/no effect 18->38 full minus green 39->118 -99%~-1% 119->156 neutral/no effect 157->235 1%~99% 236->255 full plusgreen	Green/Magenta Value
22	2GreMag Fine	0->255	Green/Magenta Fine
23	2Crossfade	0->255	White-Color Crossfade
24	2CrsfadeFine	0->255	
25	2Red	0->255	
26	2Red Fine	0->255	
27	2Green	0->255	
28	2Green Fine	0->255	
29	2Blue	0->255	
30	2Blue Fine	0->255	
31	2White	0->255	
32	2White Fine	0->255	
33	Function	0->9 N/A 10->57 High Fan 58->105 Low Fan 106->153 Live Fan 154->201 N/A 202->249 N/A 251->255 N/A	

## FINE 600C PANEL Effect 8B

ID	Specific	Value	Function
1	Dimmer	0->255	
2	EffectSel	0->9 NONE 10->19 Party Effect 20->29 Candle 30->39 Clouds Passing 40->49 Club Lights 50->59 Color Chase 60->69 Cop Car 70->79 Fire 80->89 FireWorks 90->99 Strobe 100->109 Lightning 110->119 Paparazzi 120->129 Pulsing 130->139 Television 140->149 Explosion 150->159 Fluorescent Flicker 160->169 Process Effect 170->179 Welding 180->255 Reserved	
3	Eff P1	0->255	See the table below
4	Eff P2	0->255	
5	Eff P3	0->255	
6	Eff P4	0->255	
7	Eff P5	0->255	
8	Eff P6	0->255	
9	Eff P7	0->255	
10	Function	0->9 N/A 10->57 High Fan 58->105 Low Fan 106->153 Live Fan 154->201 N/A 202->249 N/A 251->255 N/A	
11	Preset	Function see the table Preset	
12	Reversed1	0->255	
13	Reversed2	0->255	

Party Effect			
Effect Parameter	Dmx Value	Function	Remark
1	0	Saturation CCT 2.800 → 10.000 K	
	1->255	0 → 1.0 Saturation	
2	0->255	Speed Loop 60 s → 1 s	

Candle			
Effect Parameter	Dmx Value	Function	Remark
1	0->84	CCT Range 1.400 → 1.700 K	CCT Range
	85->170	CCT Range 1.700 → 2.000 K	Not continuous, set range for random generation
	171->255	CCT Range 2.000 → 2.300 K	
2	0->255	Speed 0 → 120 changes / min	

Clouds Passing			
Effect Parameter	Dmx Value	Function	Remark
1	0->255	Offset Offset Number 0 – 50 Every 5 DMX values is a new offset	
2	0->255	Speed 2 x Slower → Default Speed Default Speed → 2 x Faster	
3	255	Sync If bumped to 100%, the loop will start at zero (or depending on the offset value)	

Club Lights			
Effect Parameter	Dmx Value	Function	Remark
1	0->31	3 Colors	Color Variety
	32->63	6 Colors	
	64->95	9 Colors	
	96->127	12 Colors	
	128->159	15 Colors	
	160->191	18 Colors	
	192->223	21 Colors	
224->255	24 Colors		
2	0->255	Speed 0 → 120 changes / min	

Color Chase			
Effect Parameter	Dmx Value	Function	Remark
1	0->255	Offset Offset Number 0 – 50 Every 5 DMX values is a new offset	
2	0->255	Speed Loop 60 s → 1 s	
3	0	CCT 2.800 → 10.000 K	Saturation
	1->255	0 → 1.0 Saturation	
4	255	Sync If bumped to 100%, the loop will start at zero (or depending on the offset value)	

Cop Car			
Effect Parameter	Dmx Value	Function	Remark
1	0 ->27	Just Blue	Color Combinations
	28 ->55	Blue and Red	
	56 ->83	Blue and White	
	84 ->111	Blue, Red and White	
	112 ->139	Blue and Amber	
	140 ->167	Blue, Red and Amber	
	168 ->195	Red and Amber	
	196 ->223	Amber	
224 ->255	Red		
2	0 ->31	Single Flash	Flash Pattern
	32 ->63	Double Flash	
	64 ->95	Quint All Flash	
	96 ->127	Quint Flash	
	128 ->159	Quad Flash	
	160 ->191	Cycle All	
	192 ->255	Reserved for future use	

Fire			
Effect Parameter	Dmx Value	Function	Remark
1	0 ->84	1800 → 2200 K	
	85 ->170	2200 → 2600 K	
	171 ->255	2600 → 3000 K	
2	0 ->255	Speed 0 → 180 changes / min	

Fireworks			
Effect Parameter	Dmx Value	Function	Remark
1	0 ->63	Colors	
	64 ->127	White	
	128 ->191	Colors and White	
	192 ->255	Reserved for future use	
2	0 ->255	Speed 10 → 0,5 s between fireworks	

Strobe			
Effect Parameter	Dmx Value	Function	Remark
1	0 ->255	1 → 25 flashes / second	Speed
2	0 ->255	CCT 2.800 → 10.000 K	Color Temperature
3	0 ->10	neutral / no effect	
	11 ->20	full minus green	
	21 ->119	-99% → -1%	
	120 ->145	neutral / no effect	
	146 ->244	1% → 99%	
245 ->255	full plus green		
4	0 ->255	White → RGBW Color	Crossfade to Color
5	0 ->255	Hue 0 → 360	
6	0 ->255	Saturation 0 → 1.0 Saturation	

Lightning			
Effect Parameter	Dmx Value	Function	Remark
1	0 ->254 255	2 → 14 lightning strikes set Random	Frequency
2	0 ->254 255	0 → 10 flashes / second Random	Speed
3	0 ->255	CCT 2.800 → 10.000 K	Color Temperature
4	0 ->10 11 ->20 21 ->119 120 ->145 146 ->244 245 ->255	neutral / no effect full minus green -99% → -1% neutral / no effect 1% → 99% full plus green	
5	255	Sync If bumped to 100%, the loop will start at zero (or depending on the offset value)	

Paparazzi			
Effect Parameter	Dmx Value	Function	Remark
1	0 ->255	6 → 120 Flashes / min	Frequency
2	0 ->127 128 ->255	Flash Bulb Modern Flash	Flash Type
3	0 ->255	CCT 2.800 → 10.000 K	Color Temperature
4	0 ->10 11 ->20 21 ->119 120 ->145 146 ->244 245 ->255	neutral / no effect full minus green -99% → -1% neutral / no effect 1% → 99% full plus green	

Pulsing			
Effect Parameter	Dmx Value	Function	Remark
1	0 ->255	Frequency 5 → 90 Pulses / minute	
2	0 ->255	Pulse Duration 4 → 0.25 seconds	
3	0 ->255	CCT 2.800 → 10.000 K	Color Temperature
4	0 ->10 11 ->20 21 ->119 120 ->145 146 ->244 245 ->255	neutral / no effect full minus green -99% → -1% neutral / no effect 1% → 99% full plus green	
5	0 ->255	White → RGBW Color	Crossfade to Color
6	0 ->255	Hue 0 → 360	
7	0 ->255	Saturation 0 → 1.0 Saturation	

Television			
Effect Parameter	Dmx Value	Function	Remark
1	0 ->84 85 ->170 171 ->255	2.800 → 4.700 K 4.700 → 6.500 K 6.500 → 10.000 K	CCT Range Not continuous, set range for random generation
2	0 ->255	Speed 4 → 24 changes / min	

Explosion			
Effect Parameter	Dmx Value	Function	Remark
1	0 ->255	Decay 4 → 0.5 seconds	
2	250 ->255	Trigger	Manual (bump intensity to explode)
3	0 ->255	CCT 2.800 → 10.000 K	Color Temperature
4	0 ->10 11 ->20 21 ->119 120 ->145 146 ->244 245 ->255	neutral / no effect full minus green -99% → -1% neutral / no effect 1% → 99% full plus green	
5	0 ->255	White → RGBW Color	Crossfade to Color
6	0 ->255	Hue 0 → 360	
7	0 ->255	Saturation 0 → 1.0 Saturation	

Fluorescent Flicker			
Effect Parameter	Dmx Value	Function	Remark
1	0 ->255	Speed 2 → 6 seconds of still	
2	0 ->255	Frequency 3 → 10 flickers per second	
3	0 ->255	CCT 2.800 → 10.000 K	Color Temperature
4	0 ->10 11 ->20 21 ->119 120 ->145 146 ->244 245 ->255	neutral / no effect full minus green -99% → -1% neutral / no effect 1% → 99% full plus green	
5	0 ->255	White → RGBW Color	Crossfade to Color
6	0 ->255	Hue 0 → 360	
7	0 ->255	Saturation 0 → 1.0 Saturation	

Process Effect			
Effect Parameter	Dmx Value	Function	Remark
1	0 ->255	Speed Slow → fas	
2	0 ->127 128 ->255	Left → right Right → left	Direction
3	0 ->255	CCT 2.800 → 10.000 K	Color Temperature
4	0 ->10 11 ->20 21 ->119 120 ->145 146 ->244 245 ->255	neutral / no effect full minus green -99% → -1% neutral / no effect 1% → 99% full plus green	
5	0 ->255	White → RGBW Color	Crossfade to Color
6	0 ->255	Hue 0 → 360	
7	0 ->255	Saturation 0 → 1.0 Saturation	

Welding			
Effect Parameter	Dmx Value	Function	Remark
1	0 ->255	Speed Slow→ fast	
2	0 ->255	0% → 75% minimum intensity level	Min Intensity Level
3	0 ->255	CCT 2.800 → 10.000 K	Color Temperature
4	0 ->10 11 ->20 21 ->119 120 ->145 146 ->244 245 ->255	neutral / no effect full minus green -99%→ -1% neutral / no effect 1% → 99% full plus green	
5	0 ->255	White → RGBW Color	Crossfade to Color
6	0 ->255	Hue 0 → 360	
7	0 ->255	Saturation 0 → 1.0 Saturation	



# 10 / Routine maintenance

This fixture requires routine cleaning. The service life depends on the operating environment heavily. Please kindly contact GUANG ZHOU CHAI YI LIGHT CO, LTD for more maintenance information not included in this user's manual.

**Attention:** *the over-dust, smoky, and improper destructions are not included in the warranty.*

**Warning:** *Please unplug the fixture before you open any covers.*

## ■ Cleaning

Optical components should be cleaned carefully and lightly. Coating face is easily damaged, do not use harmful solvent so as to avoid damage to plastic parts or coating parts.

## ■ Cleaning optical components

1. Switch off the fixture and keep it cool completely, then open the cover.
2. Clean the floats by dust collector or compressed.
3. Use cotton paper without smell or cotton cloth soaked with the water, distilled water to wipe the granular thing, don't wipe the surface, float things should be blown away by the pressure gas.
4. Use the cotton cloth or cotton paper without smell soaked with isopropyl alcohol to remove the smoke and other residues. A commercial glass may be used, but residues must be removed with distilled water. Clean with a cleaner slow circular motion from center to edge. Dry with a clean, soft and lint-free cloth or compressed air.

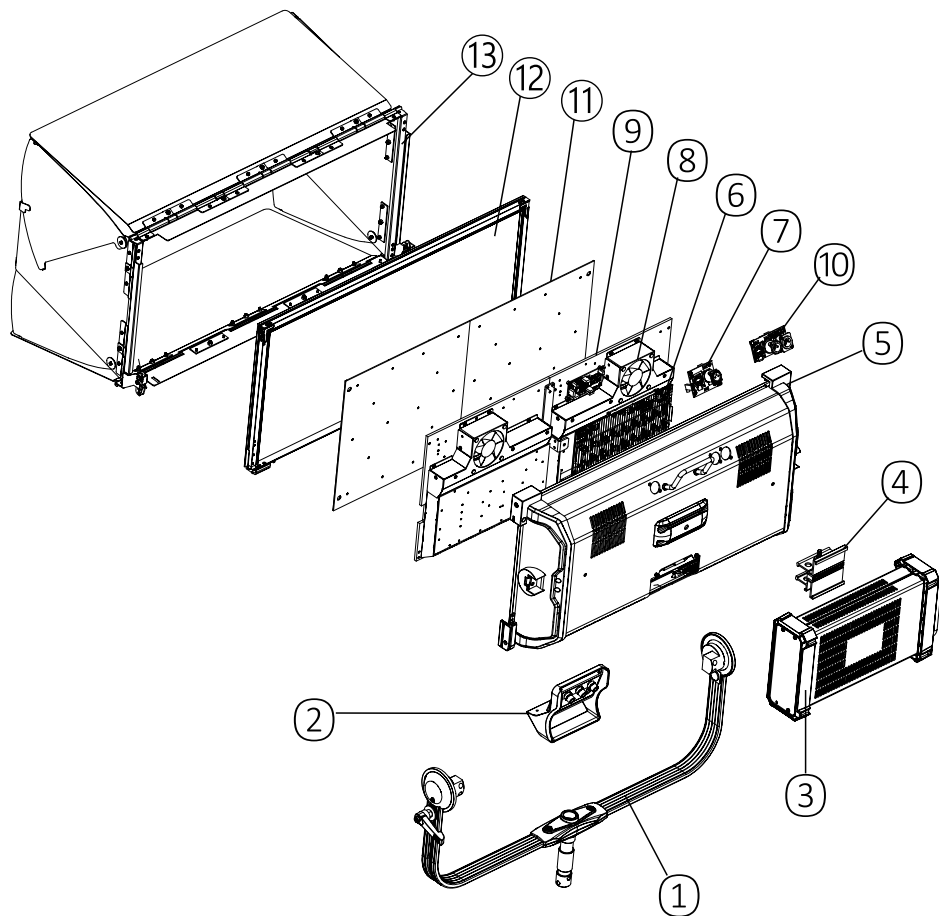
## ■ Cleaning fan and air vents

Remove dust from the fans and air vents with a soft brush, cotton paper, vacuum.

# 11 / Parts code

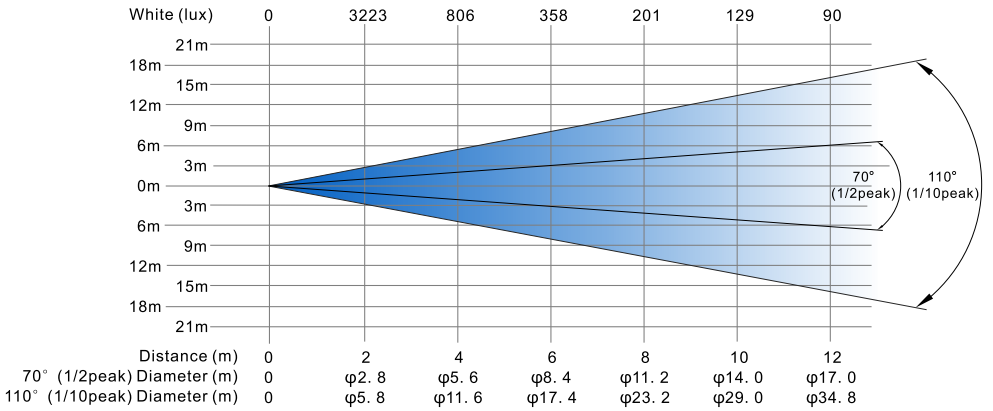
Item	Specification	Ordering index
Drive board	-	330722100067
Display board	-	330722100038
Left LEDs board	-	330722100069
Right LEDs board	-	330720100070
Power input board	-	330722100066
DMX input board	-	330722100041
DMX output board	-	330722100065
Transfer board	-	330722100045

# Attached 1. FINE 600C PANEL exploded drawing



No.	Item	No.	Item	No.	Item
1	Hanging assembly	6	Drive board assembly	11	LEDs board assembly
2	Display assembly	7	DMX output assembly	12	Fluorecent board assembly
3	Power supply assembly	8	Fan assembly	13	Barn door assembly
4	Fast lock assembly for power	9	Cooling assembly		
5	Cover assembly	10	Power & DMX input assembly		

## Attached 2. Photometric diagram



Attached 3. Wiring diagram

