

# Contents

|   |    |
|---|----|
| <b>Contents</b> .....                       | 1  |
| <b>1.Safety information</b> .....           | 2  |
| <b>2.Product introduction</b> .....         | 4  |
| 2.1 Fixture profile dimensions.....         | 4  |
| 2.2 Fixture introduction.....               | 5  |
| <b>3.Package &amp; delivery</b> .....       | 5  |
| 3.1 Included items.....                     | 5  |
| <b>4.Installation</b> .....                 | 6  |
| <b>5.Datalink</b> .....                     | 7  |
| 5.1 DMX512 link.....                        | 7  |
| <b>6. AC Power supply</b> .....             | 8  |
| 6.1 Power connection.....                   | 8  |
| <b>7.Control panel</b> .....                | 9  |
| 7.1 Control panel introduction.....         | 9  |
| 7.2 Control panel function explanation..... | 10 |
| <b>8.Technical feature</b> .....            | 11 |
| <b>9.Control Channel</b> .....              | 12 |
| 9.1 DMX control channel.....                | 12 |
| <b>10.PartsCode</b> .....                   | 16 |

Attached 1: Fixture exploded drawing

Attached 2: FINE 200/300/400T LEKO wiring diagram

Attached 3: FINE 300/400D LEKO wiring diagram

Attached 4: FINE 300C LEKO wiring diagram

Attached 5: FINE 200T LEKO photometric diagram

Attached 6: FINE 300C LEKO photometric diagram

Attached 7: FINE 300T LEKO photometric diagram

Attached 8: FINE 300D LEKO photometric diagram

Attached 9: FINE 400T LEKO photometric diagram

Attached 10: FINE 400D LEKO photometric diagram

---

## Declaration

This product has passed the final check for both functionalities and package when delivered from the factory. All users should observe the instructions and pay attentions to the warnings covered by this manual. Unreasonable damages resulting from unintended operations or not heeding instructions covered by this manual will void the warranty, Specifications in this manual intend for reference only, the fixture delivered takes the priority. Any future modification pertaining to content of this manual, there will be no particular notifications. FINE ART reserves all copyrights. To obtain the latest information about software update, hardware and other files, please visit FINE ART online website.

---

The following symbols are used to identify important safety information on the product and in this manual:

|   |   |   |   |   |   |  |
|---|---|---|---|---|---|--|
|  |  |  |  |  |  |  |
|  |  |  |  |  |  |  |

## 1. Safety information

 **WARNING!**  
 Read the safety precautions in this section before installing, powering, operating or servicing this product.

After receiving the fixture, please unpack and check if there is any damage due to transportation. If any obvious damage or flaw is found, do not put it into use and co-ntact the distributor or manufacturer as soon as possible.



**This fixture is intended for professional use only.**  
 When operating the fixture, attentions should be drawn to fire/electric-shock hazards and lethal injuries caused by fall.



Read this User Manual before mounting and ennergizing the fixture. Observe the safety guideline and notice the warnings both in this User Manual and on the fixture.  
 Yet any safety concerns not covered hereby, contact the distributor or service hot-line.



$t_a = 40^{\circ}\text{C}$

**Protection against over heat**  
 The light is suitable for indoor environment or outdoor environment; its protection rating is IP20  
 The natural working temperature should be lower than 40 degrees. If the ambient temperature exceeds 45 degrees, please stop operating the unit immediately.  
 Protect the light from the chemical liquid.



**Protection against explosion**  
 Shields must be replaced if they have become visible damaged to such an extent that their effectiveness is impaired.

## Protection against injury due to falls



To inspect that the structure and the truss hooks are in good condition and can bear about 10 times the weight of the fixture.  
Ensure the cover and all riggings are securely fastened, safety wire is necessary to use as a secondary attachment.  
Block access below the working area and work from a stable platform while installing, servicing or moving the fixture.

## Protection against electrical shock



All electrical connections must be performed by a qualified person with technical certificate.

Make sure that the mains power supply you use is up to local construction and electronic code regulation, the over-load protection reliable earthing is essential.

Each fixture must be grounded correctly, and be installed according to related regulation.

Disconnect the fixture from mains supply before replacing any fuse.  
Avoid using the fixture in damp environment.



## Keep flammable materials far away from the fixture.

Make sure the fixture is far away from the flammable or explosive materials. The minimum distance between the fixture and those materials should be 0.5m.



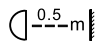
The maximum working temperature of the exterior surface, under a thermally steady state is 60°C.

Do not touch the light when the fixture is working.

Do not illuminate surfaces within 0.5 meters of the fixture.



Provide a minimum clearance of 0.1m around the cooling fans and air vents.



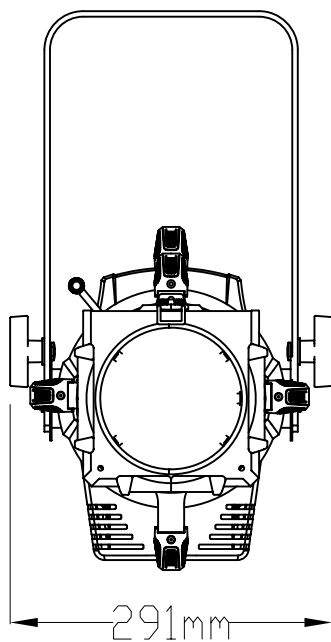
Do not place any filter or other objects onto the optical lens.

Do not revise the fixture or install any parts not from Guangzhou CHAI YI LIGHT CO.,LTD.

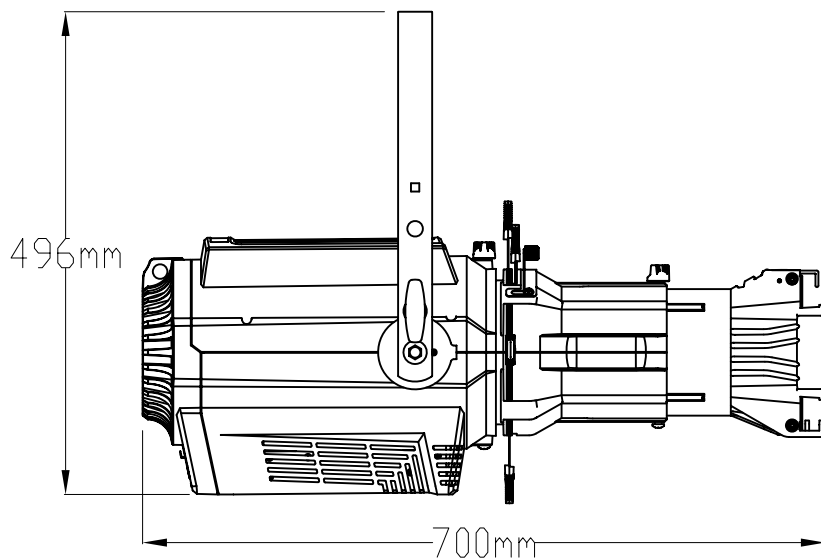
## 2.Product introduction

### 2.1 Fixture profile dimensions

#### ●Front view



#### ●Side view



## 2.2 Fixture introduction

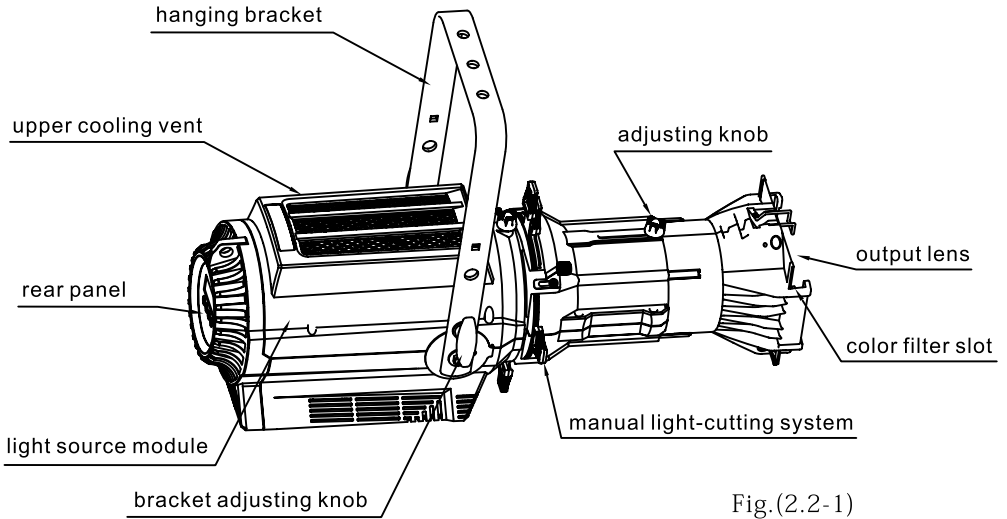


Fig.(2.2-1)

## 3.Package & delivery

### 3.1 Included Items

FINE 200/300/400 LEKO is packed with single flight case for 4pcs, included items shown below.

| Accessories          | QTY | UNIT | Remarks  |
|----------------------|-----|------|----------|
| User Manual          | 1   | pc   | Standard |
| Warranty card        | 1   | pc   | Standard |
| Suspension fasteners | 1   | set  | Standard |
| Power input cord     | 1   | pc   | Standard |
| Safety cable         | 2   | pc   | Standard |
| Signal cable         | 1   | pc   | Standard |
| Color filter clip    | 1   | pc   | Standard |
| Gobo cilp            | 1   | pc   | Standard |
| Iris                 | 1   | pc   | Option   |
| Power transit line   | 1   | pc   | Option   |

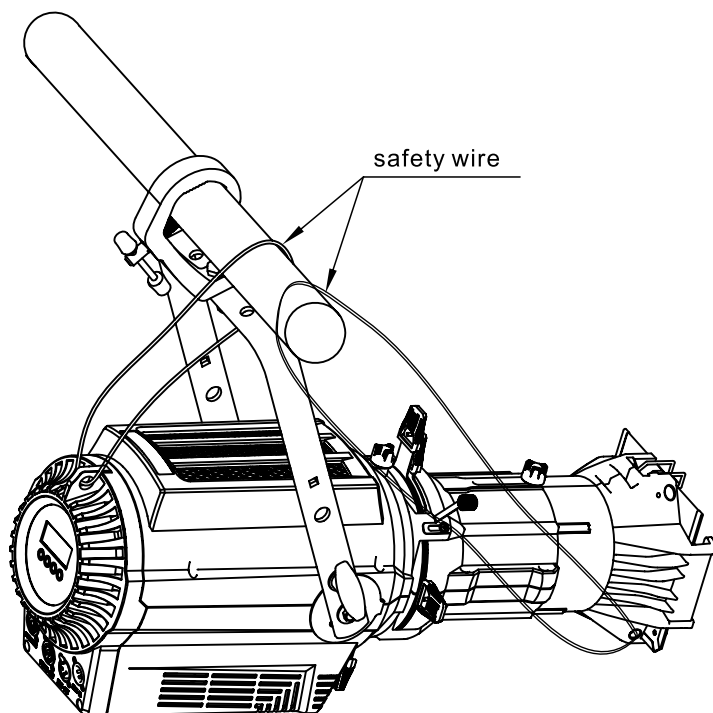
## 4. Installation

User must be timely check the fixture and its install materials, if you are non-qualified to check that, please contact the professional person. Wrong installation will result in fatal hazard.

The fixture working ambient temperature are between  $-10^{\circ}\text{C}\sim 40^{\circ}\text{C}$ , When ambient temperature over the range, don't operate the fixture. When the fixture are in installation, teardown, remove or servicing, don't stand in under the fixture.

Operator must be insure the fixture are safely connected. The input power supply must match the specific type demanded by the fixture. Make sure the installation check annually by professional person.

1. Hang upside down on the truss.



Warning

Please add one safety cable to the bracket.

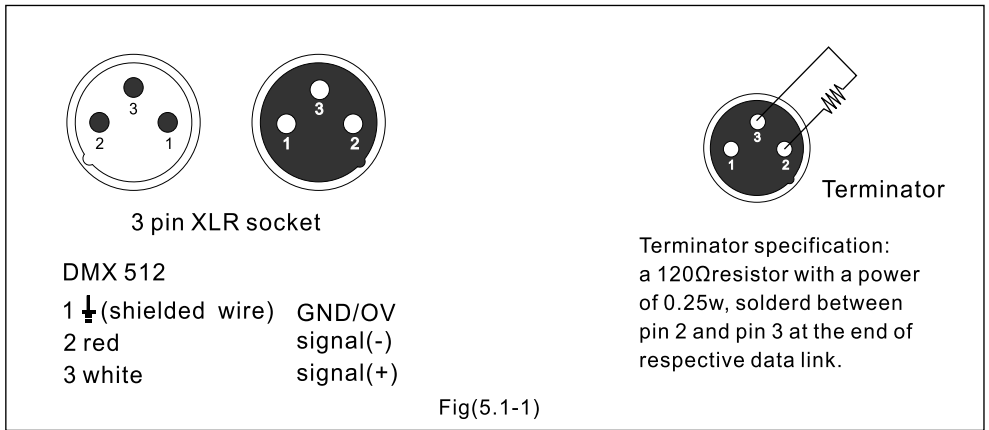
## 5. Tips for Data Link

### 5.1 DMX 512 for data transferring

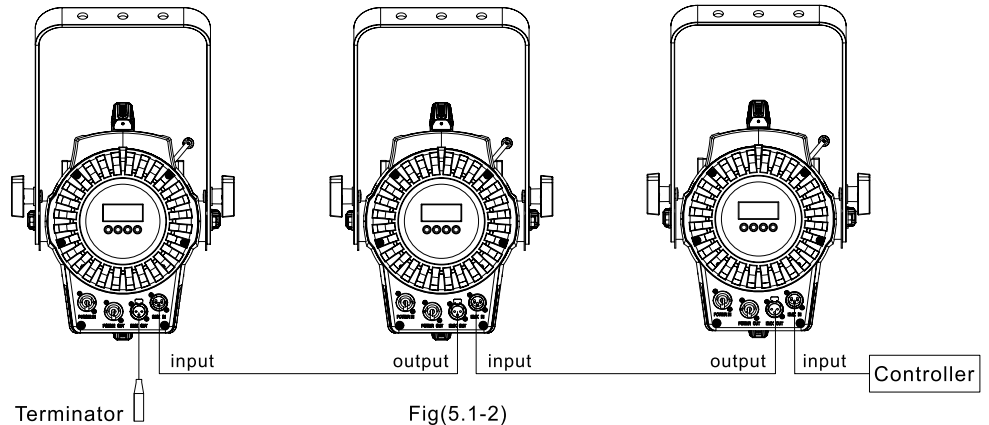
Note: The signal cable is type X connection.

Type X connection—if the external flexible cable or cord of this fixture is damaged, it shall be replaced by a special cord or cord exclusively available from the manufacturer or his service agent.

3-pin XLR connectors are provided for fixture DMX input and output. Pin 1 is for earth -ing, pin 2 is for minus signals, and pin 3 is for plus signals. To prevent and absorb the reflection and interference of the signals, each data link must be ended by a respective terminator.



Connect the 3-pin output of a lighting controller to the 3-pin input of a first fixture on the link, then connect the 3-pin output of the said first fixture to the 3-pin input of a second fixture. Similarly, repeat the above connection step and end the data link with a plug-in terminator. Shown as Fig. 5.1-2 below.



**Notice:**

1. No more than one signal input or output can occur in one fixture.
2. Don't split a data link via output ports on the fixture, use a DMX512 signal amplifier instead, if necessary.
3. Use only shielded-pair cables, and standard microphone cable is not reliable for long-distance data transfer.


## 6. AC Power supply

### 6.1 Power Connection

Notice: Type X attachment for power supply connection.

Method of attachment of the cable or cord such that any replacement can only be made by the manufacturer, his service agent or similarly qualified person.

The person must have the relevant qualification to connect the power supply. The AC power voltage shall be suitable to the lamp provided with over-loading or cree page protection. Connecting the equipment to the power supply, do not connect to silicon box system, or else, it will destroy the equipment. The fixture is provided with standard 3-pin socket. Please according to table 6.1-1 connect to power supply, Yellow/green line must be earthed. If you still have any question to the installation, please consultant with the experienced electrician.

| Color        | Wire    | Mark  |
|--------------|---------|---|
| Brown        | Live    | L   |
| Blue         | Neutral | N   |
| Yellow/Green | Earth   |  |

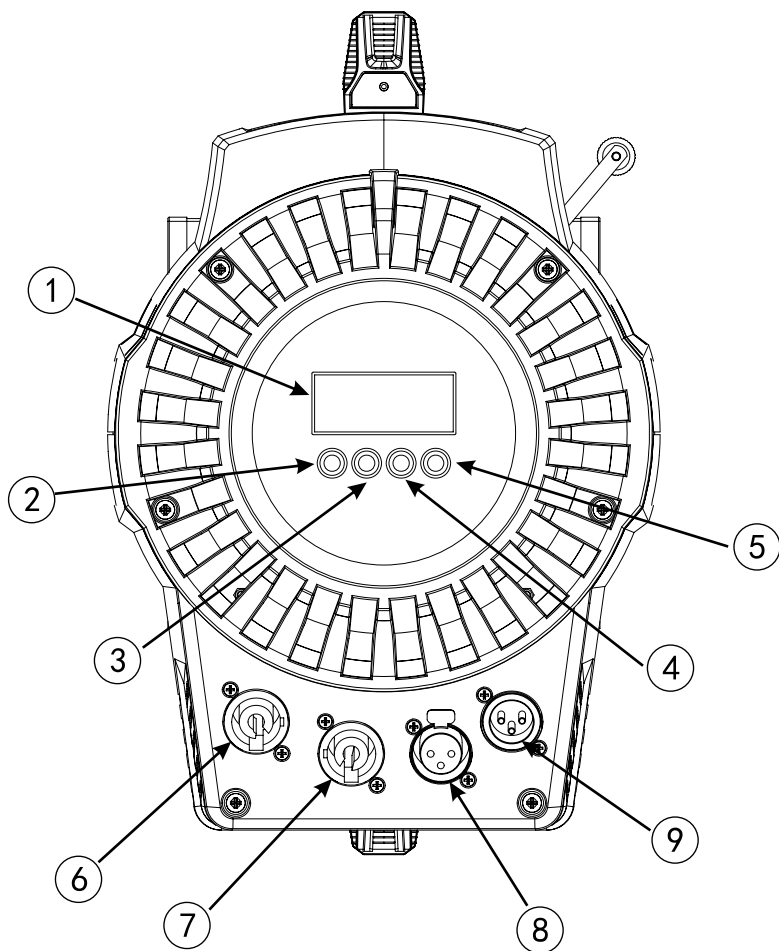
Table(6.1-1)

Note: Do not exceed 3 units fixtures at 110V.  
Do not exceed 6 units fixtures at 220V.



# 7. Control Panel

## 7.1 Control Panel Introduction



1. Display panel  
2. Menu button  
3. Enter

4. Up button  
5. Down button  
6. Power input

7. Power output  
8. Signal output  
9. Signal input

## 7.2 Display panel operational function detail

FINE 200/300/400T&D LEKO:

| ID   | 1-512 |      | adress        |                 |
|------|-------|------|---------------|-----------------|
| DIMM | 0-100 |      | dimmer        |                 |
| SET  | MODE  | 1CH  | Channel mode1 |                 |
|      |       | 3CH  | Channel mode3 |                 |
|      |       | 4CH  | Channel mode4 |                 |
|      | FAN   | POWR | Fast          |                 |
|      |       | LIVE | Auto          |                 |
|      |       | STDO | Silent        |                 |
|      | CURV  | CUE3 | Curve 3       |                 |
|      |       | CUE2 | Curve 2       |                 |
|      |       | CUE1 | Curve 1       |                 |
|      |       |      | OFF           | Curve OFF       |
|      | MSGN  |      | NO            | Host signal off |
|      |       |      | YES           | Host signal off |
|      | REST  |      |               | Reset           |

FINE 300C LEKO:

| ID   | 1-512 |       |       |           |
|------|-------|-------|-------|-----------|
| DIMM | R     | 0-255 | Red   |           |
|      | G     | 0-255 | Green |           |
|      | B     | 0-255 | Blue  |           |
|      | W     | 0-255 | White |           |
|      | A     | 0-255 | Amber |           |
| SET  | REST  |       | Reset |           |
|      | MODE  | STIO  |       |           |
|      |       | RGB   |       |           |
|      |       | HSIC  |       |           |
|      |       | HIS   |       |           |
|      |       | DIRE  |       |           |
|      | FAN   | POWR  |       | Fast      |
|      |       | LIVE  |       | Auto      |
|      |       | STDO  |       | Silent    |
|      | CURV  | CV3   |       | Curve 3   |
|      |       | CV2   |       | Curve 2   |
|      |       | CV1   |       | Curve 1   |
|      |       |       | OFF   | Curve OFF |

## 8. Technical Feature

- Power Supply: FINE 300/400 LEKO: 100-240V~ 50/60Hz
- Input power: FINE 200 LEKO: 170W  
FINE 300 LEKO: 310W  
FINE 400 LEKO: 410W  
power factor: PF≥0.9
- OPTICS  
Lamp Type:  
FINE 200 LEKO: 200W LED module  
FINE 300 LEKO: 300W LED module  
FINE 400 LEKO: 400W LED module  
Life Span≥50000h  
Lens: 26°(5°/10°/19°/36°/50°/15-30°/25-50°for optional)  
Color Temperature:  
FINE 200/300/400T LEKO:3200K  
FINE 300/400D LEKO:5600K  
FINE 300C LEKO:2500K~6300K  
Luminous Flux:  
FINE 200T LEKO: 5753 lm  
FINE 300T LEKO: 8000 lm  
FINE 300D LEKO: 8300 lm  
FINE 300C LEKO: 5300 lm  
FINE 400T LEKO: 13000 lm  
FINE 400D LEKO: 14000 lm  
Light Efficiency:  
FINE 200T LEKO: 39 lm/W  
FINE 300T LEKO: 26 lm/W  
FINE 300D LEKO: 27 lm/W  
FINE 300C LEKO: 18 lm/W  
FINE 400T LEKO: 32 lm/W  
FINE 400D LEKO: 35 lm/W  
CRI:  
FINE 200/300/400T&D LEKO >90  
FINE 300C LEKO >80
- ELECTRONIC CONTROL TECHNOLOGY  
Protocol: DMX512  
Channel Mode: FINE 200/300/400 D&T: 1/3/4  
FINE 300C: 6/7/6/6/10  
Control Panel: LED screen + button
- Data input/output: 3-pins
- Housing: Aluminum alloy die-casting
- IP rate: IP20
- Weight: Gross weight 13kg, net weight 59kg
- Dimension: Fixture Dimension: 700X291X496mm  
Package dimension: 1271X706X511mm(4pcs/flight case)

## 9. Control Channel

### 9.1 DMX control channel

FINE 200/300/400T&D :

|         |         |              |         |                 |
|---------|---------|--------------|---------|-----------------|
| 1CH     | ch1     | Dimmer       | 0-255   | Dimmer 0-100%   |
| 3CH     | ch1     | Dimmer       | 0-255   |                 |
|         | ch2     | Strobe       | 0-5     | Non             |
|         |         |              | 6-105   | Standard Strobe |
|         |         |              | 106-110 | Non             |
|         |         |              | 110-179 | Thunder strobe  |
|         |         |              | 180-185 | Non             |
|         |         |              | 186-255 | Random strobe   |
|         |         |              | ch3     | Function        |
|         | 6-25    | Fast fan     |         |                 |
|         | 26-50   | Slow fan     |         |                 |
|         | 51-75   | Auto fan     |         |                 |
|         | 76-179  | Non          |         |                 |
|         | 180-200 | Reset        |         |                 |
|         | 201-255 | Non          |         |                 |
| 4CH     | ch1     | Dimmer       | 0-255   | Dimmer 0-100%   |
|         | ch2     | 16Bit dimmer | 0-255   | 16bit dimmer    |
|         | ch3     | Strobe       | 0-5     | Non             |
|         |         |              | 6-105   | Standard Strobe |
|         |         |              | 106-110 | Non             |
|         |         |              | 110-179 | Thunder strobe  |
|         |         |              | 180-185 | Non             |
|         |         |              | 186-255 | Random strobe   |
|         |         |              | ch4     | Function        |
|         | 6-25    | Fast fan     |         |                 |
|         | 26-50   | Slow fan     |         |                 |
|         | 51-75   | Auto fan     |         |                 |
|         | 76-179  | Non          |         |                 |
|         | 180-200 | Reset        |         |                 |
| 201-255 | Non     |              |         |                 |

FINE 300C:

|         |            |            |         |                 |
|---------|------------|------------|---------|-----------------|
| HIS     | ch1        | Hue        | 0-255   |                 |
|         | ch2        | Hue fine   | 0-255   |                 |
|         | ch3        | Saturation | 0-255   |                 |
|         | ch4        | Intensity  | 0-255   |                 |
|         | ch5        | Strobe     | 0-5     | Non             |
|         |            |            | 6-105   | Standard Strobe |
|         |            |            | 106-110 | Non             |
|         |            |            | 110-179 | Thunder strobe  |
|         |            |            | 180-185 | Non             |
|         |            |            | 186-255 | Random strobe   |
|         | ch6        | Function   | 0-5     | non             |
|         |            |            | 6-25    | Slow fan        |
|         |            |            | 26-50   | Fast fan        |
|         |            |            | 51-75   | Auto fan        |
| 76-179  |            |            | Non     |                 |
| 180-200 |            |            | Non     |                 |
| 201-255 |            |            | Non     |                 |
| HISC    | ch1        | Hue        | 0-255   |                 |
|         | ch2        | Hue fine   | 0-255   |                 |
|         | ch3        | Saturation | 0-255   |                 |
|         | ch4        | Intensity  | 0-255   |                 |
|         | ch5        | Strobe     | 0-5     | Non             |
|         |            |            | 6-105   | Standard Strobe |
|         |            |            | 106-110 | Non             |
|         |            |            | 110-179 | Thunder strobe  |
|         |            |            | 180-185 | Non             |
|         |            |            | 186-255 | Random strobe   |
|         | ch6        | Function   | 0-5     | non             |
|         |            |            | 6-25    | Slow fan        |
|         |            |            | 26-50   | Fast fan        |
|         |            |            | 51-75   | Auto fan        |
| 76-179  |            |            | Non     |                 |
| 180-200 |            |            | Non     |                 |
| 201-255 |            |            | Non     |                 |
| ch7     | Color temp | 0-255      |         |                 |

|         |     |            |         |                 |
|---------|-----|------------|---------|-----------------|
| RGB     | ch1 | Red        | 0-255   |                 |
|         | ch2 | Green      | 0-255   |                 |
|         | ch3 | Blue       | 0-255   |                 |
|         | ch4 | N/A        | 0-255   |                 |
|         | ch5 | Strobe     | 0-5     | Non             |
|         |     |            | 6-105   | Standard Strobe |
|         |     |            | 106-110 | Non             |
|         |     |            | 110-179 | Thunder strobe  |
|         |     |            | 180-185 | Non             |
|         |     |            | 186-255 | Random strobe   |
|         | ch6 | Function   | 0-5     | non             |
|         |     |            | 6-25    | Slow fan        |
|         |     |            | 26-50   | Fast fan        |
|         |     |            | 51-75   | Auto fan        |
|         |     |            | 76-179  | Non             |
|         |     |            | 180-200 | Non             |
| 201-255 |     |            | Non     |                 |
| Studio  | ch1 | Intensity  | 0-255   |                 |
|         | ch2 | Color temp | 0-5     | 3200K           |
|         |     |            | 6-255   | 2500K-6300K     |
|         | ch3 | N/A        | 0-255   |                 |
|         | ch4 | N/A        | 0-255   |                 |
|         | ch5 | Strobe     | 0-5     | Non             |
|         |     |            | 6-105   | Standard Strobe |
|         |     |            | 106-110 | Non             |
|         |     |            | 110-179 | Thunder strobe  |
|         |     |            | 180-185 | Non             |
|         |     |            | 186-255 | Random strobe   |
|         | ch6 | Function   | 0-5     | non             |
|         |     |            | 6-25    | Slow fan        |
|         |     |            | 26-50   | Fast fan        |
|         |     |            | 51-75   | Auto fan        |
|         |     |            | 76-179  | Non             |
| 180-200 |     |            | Non     |                 |
| 201-255 |     |            | Non     |                 |

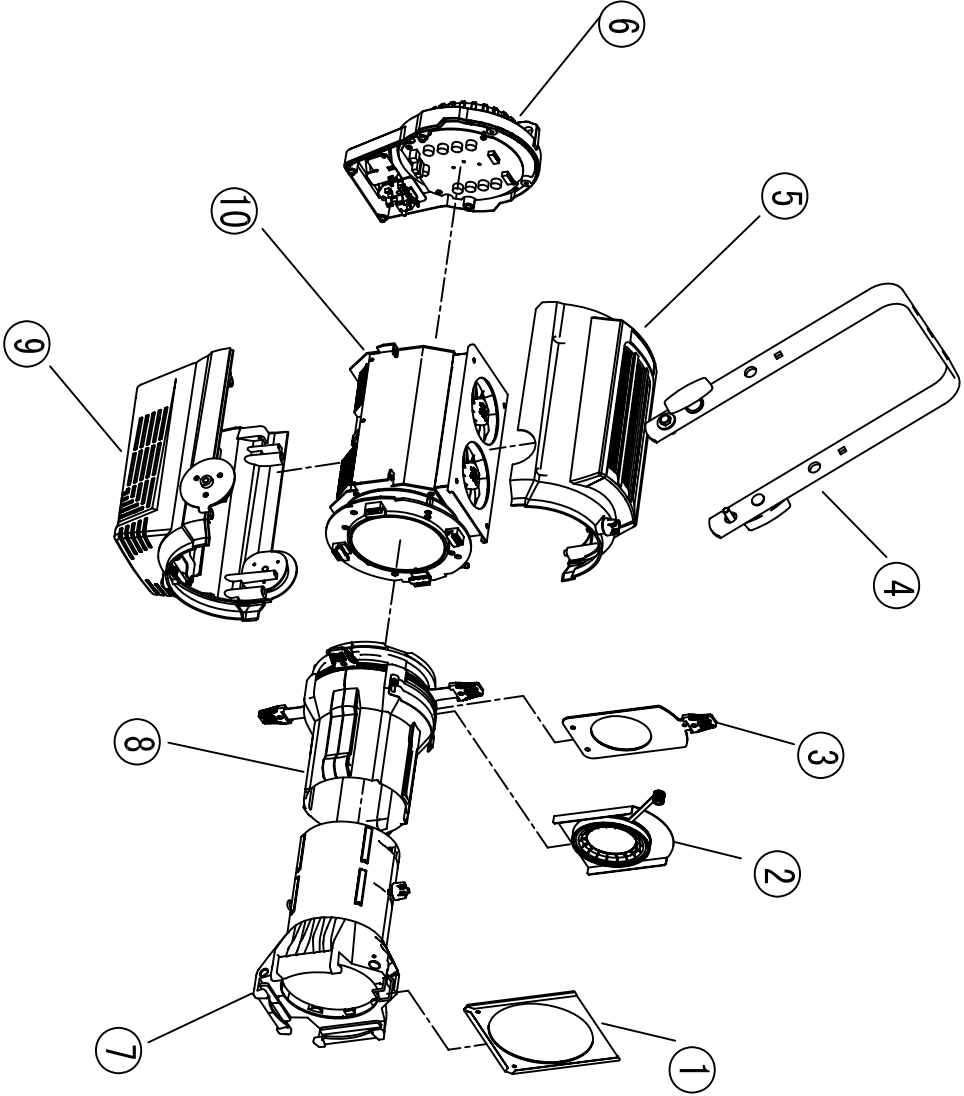
|         |      |          |         |                 |
|---------|------|----------|---------|-----------------|
| Direct  | ch1  | Red      | 0-255   |                 |
|         | ch2  | Green    | 0-255   |                 |
|         | ch3  | Blue     | 0-255   |                 |
|         | ch4  | Mint     | 0-255   |                 |
|         | ch5  | Amber    | 0-255   |                 |
|         | ch6  | Dimmer   | 0-255   |                 |
|         | ch7  | N/A      |         |                 |
|         | ch8  | N/A      |         |                 |
|         | ch9  | Strobe   | 0-5     | Non             |
|         |      |          | 6-105   | Standard Strobe |
|         |      |          | 106-110 | Non             |
|         |      |          | 110-179 | Thunder strobe  |
|         |      |          | 180-185 | Non             |
|         |      |          | 186-255 | Random strobe   |
|         | ch10 | Function | 0-5     | non             |
|         |      |          | 6-25    | Slow fan        |
|         |      |          | 26-50   | Fast fan        |
|         |      |          | 51-75   | Auto fan        |
| 76-179  |      |          | Non     |                 |
| 180-200 |      |          | Non     |                 |
| 201-255 |      |          | Non     |                 |

## 10.Parts Ordering

| Item                            | Specification   | Ordering P/N |
|---------------------------------|-----------------|--------------|
| Power switch                    | FINE 200T       | 330001200072 |
| Power switch                    | FINE 300/400T&D | 330001200070 |
| Power switch                    | FINE 300C       | 330001200127 |
| Signal board                    | –               | 330721100001 |
| Power input                     | –               | 330721100002 |
| Display board                   | –               | 330721100004 |
| Drive board                     | FINE 300T&D     | 330721100003 |
| Drive board                     | FINE 300C       | 330721100007 |
| Drive board                     | FINE 200T       | 330721100025 |
| Drive board                     | FINE 400T&D     | 330721100012 |
| Led board                       | FINE 400D       | 330721100011 |
| Led board                       | FINE 200/400T   | 330721100010 |
| Led board                       | FINE 300T       | 330721100005 |
| Led board                       | FINE 300D       | 330721100006 |
| Led board(LED module)           | FINE 300C       | 280202000055 |
| Fliter                          | –               | 330004200003 |
| Direct fan(AD0424LB-G70)        | –               | 150101000026 |
| Direct fan(MF92252V3-1000C-A99) | –               | 150101000102 |

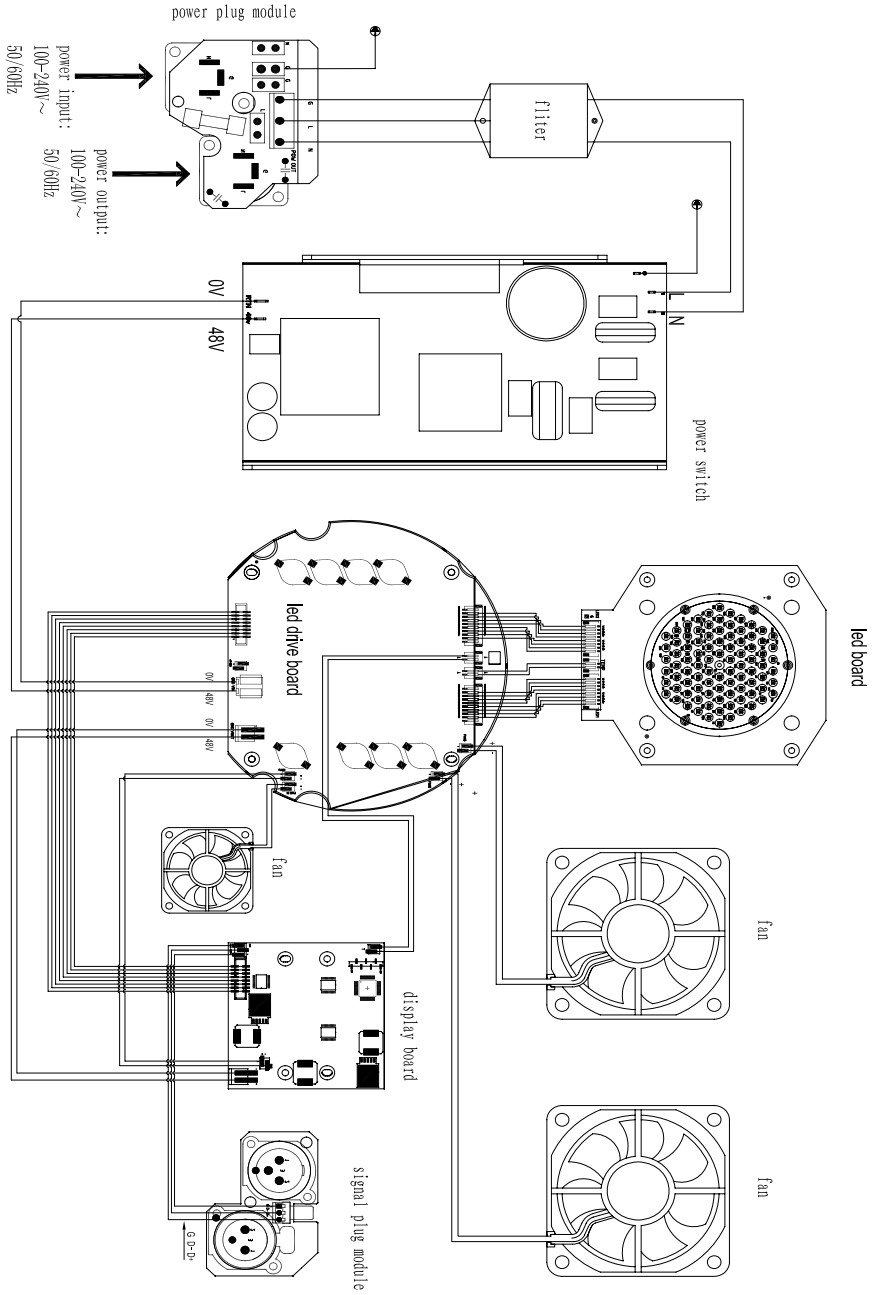


Attached 1: fixture exploded drawing

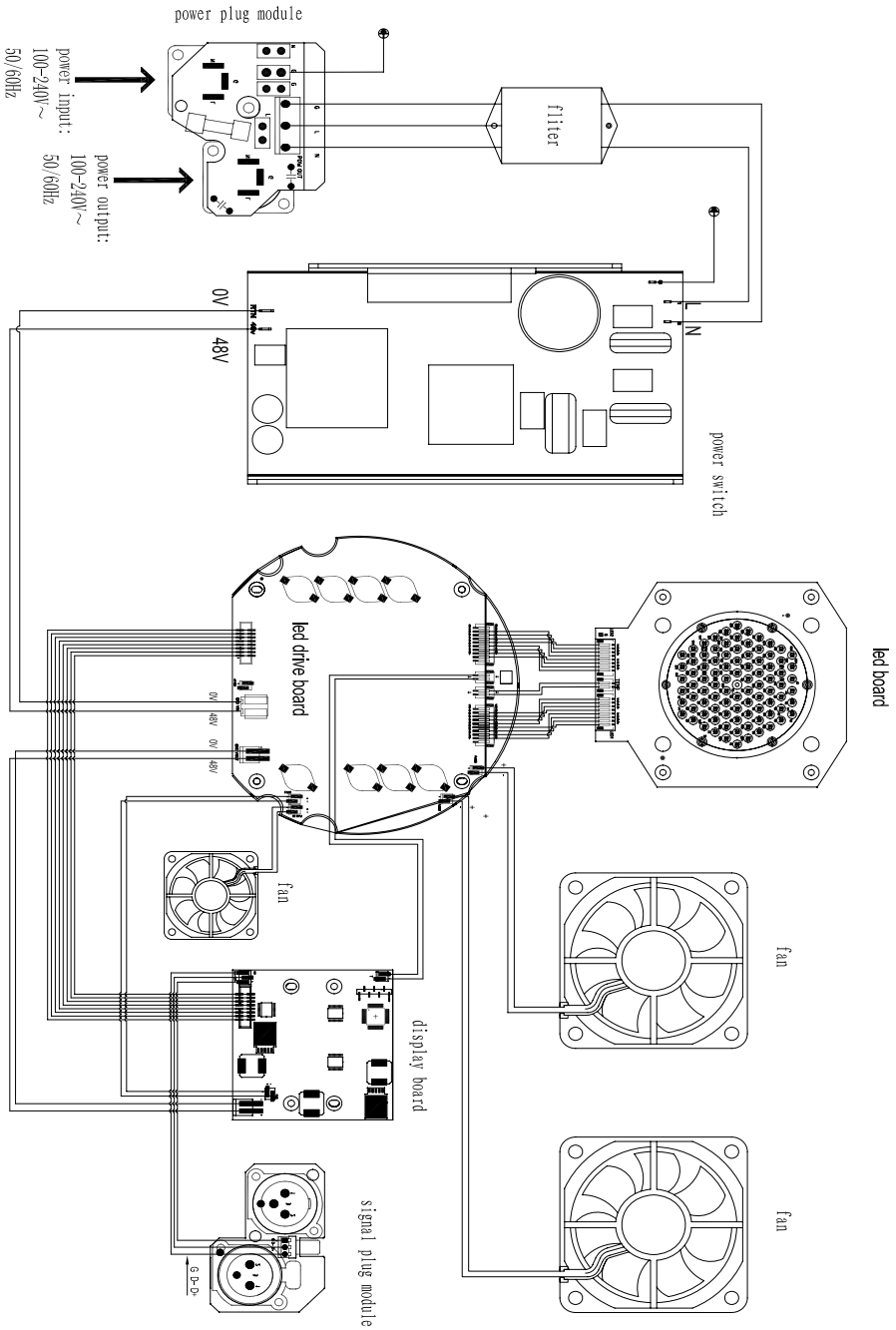


| No. | Item              | No. | Item                | No. | Item                |
|-----|-------------------|-----|---------------------|-----|---------------------|
| 1   | Color filter clip | 5   | Cover module, upper | 9   | Basement module     |
| 2   | Iris              | 6   | Cover module, rear  | 10  | Light source module |
| 3   | Gobo clip         | 7   | Lens module         |     |                     |
| 4   | Hanging bracket   | 8   | Blading module      |     |                     |

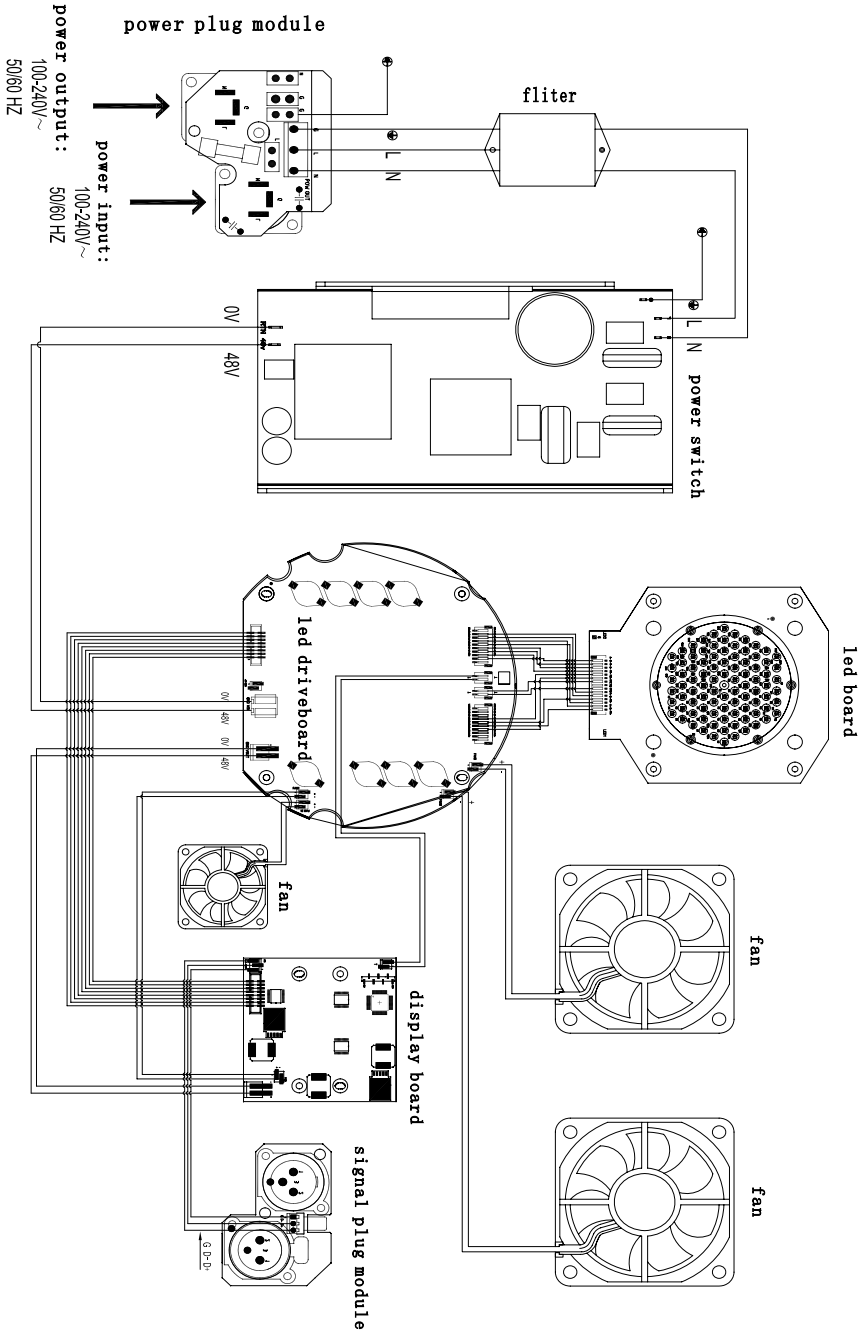
# Attached 2: FINE 200/300/400T LEKO wiring diagram



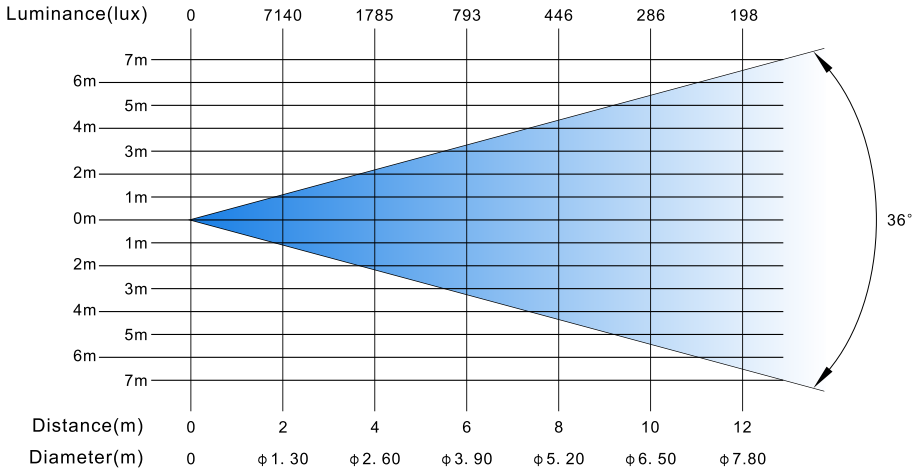
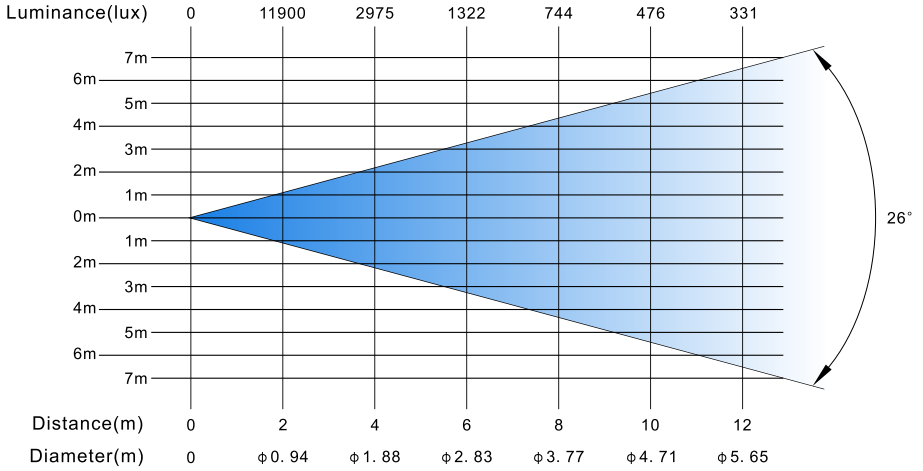
# Attached 3: FINE 300/400D LEKO wiring diagram



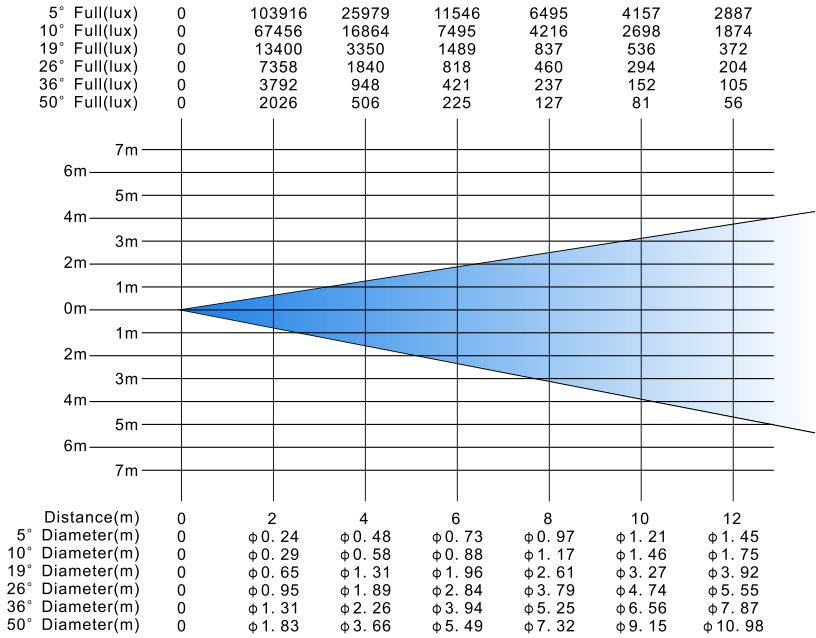
# Attached 4: FINE 300C LEKO wiring diagram



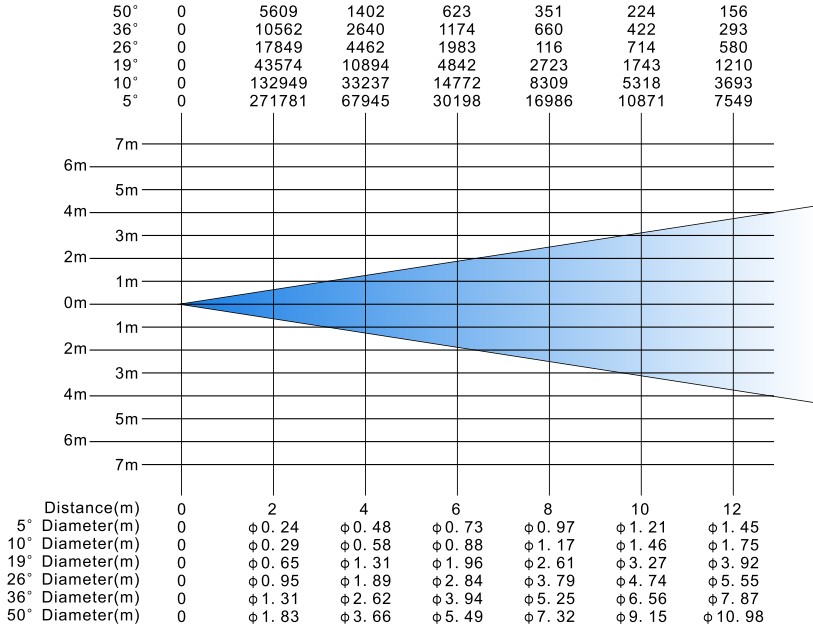
# Attached 5: FINE 200T LEKO photometric diagram



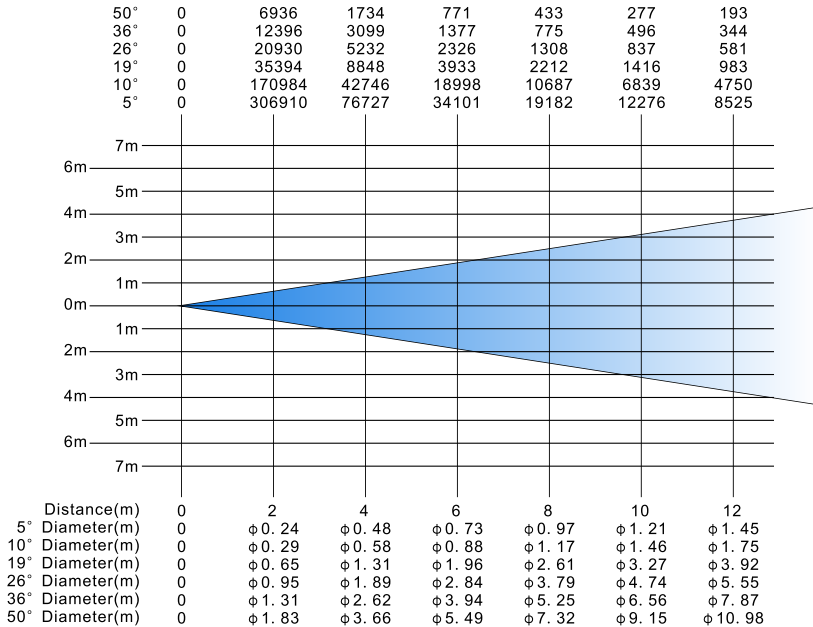
# Attached 6: FINE 300C LEKO photometric diagram



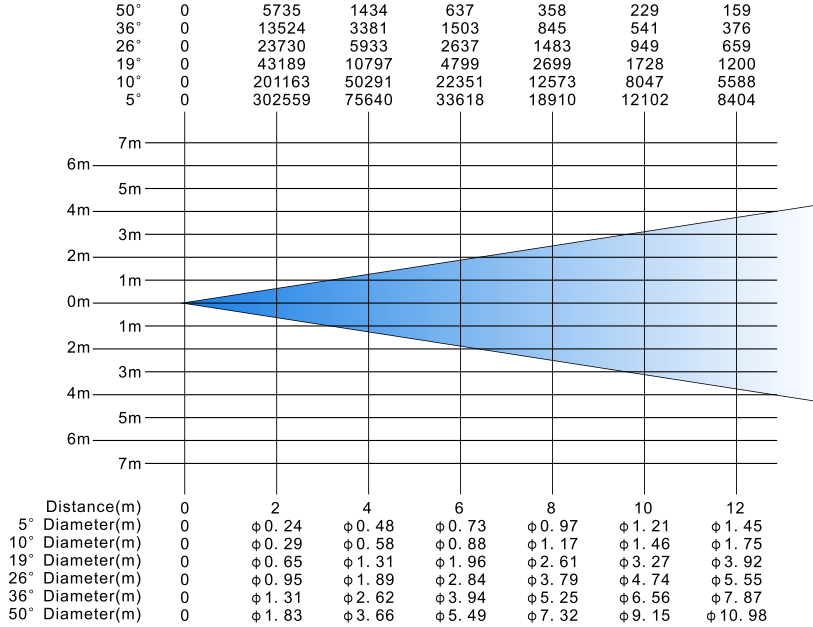
## Attached 7: FINE 300T LEKO photometric diagram



## Attached 8: FINE 300D LEKO photometric diagram



## Attached 9: FINE 400T LEKO photometric diagram



## Attached 10: FINE 400D LEKO photometric diagram

