

Contents

| | |
|--|----|
| 1.Safety information | 2 |
| 2.Product introduction | 4 |
| 2.1.Fixture profile dimension..... | 4 |
| 2.2.Fixture introduction..... | 5 |
| 3.Package & delivery | 5 |
| 4.Installation | 6 |
| 5.Data link | 6 |
| 6.Power connection | 8 |
| 7.Control panel | 8 |
| 7.1.Control panintroduction..... | 8 |
| 7.2.Display panel operational function detail..... | 9 |
| 8.Technical feature | 9 |
| 9.Control channel | 11 |
| 10.Parts Code | 15 |
| Attached 1: Exploded view | |
| Attached 2: Photometric diagram | |
| Attached 3: Wiring diagram | |

Declaration

This product has passed the final check for both functionalities and package when delivered from the factory. All users should observe the instructions and pay attentions to the warnings covered by this manual. Unreasonable damages resulting from unintended operations or not heeding instructions covered by this manual will void the warranty. Specifications in this manual intend for reference only, the fixture delivered takes the priority. Any future modification pertaining to content of this manual, there will be no particular notifications. FINE ART reserves all .

To obtain the latest information about software update, hardware and other files, please visit FINE ART online website.

1. Safety information

The following symbols are used to identify important safety information on the product and in this manual:



DANGER!
Hazardous voltage.
Risk of severe or lethal electric shock.



DANGER!
Safety hazard.
Risk of severe injury or death.



DANGER!
Refer to manual before installing, powering or servicing.



Warning!
Fire hazard.



Warning!
Burn hazard.
Hot surface.
Do not touch.



Warning!
Risk of eye injury.
Safety glasses must be worn.



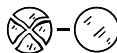
Warning!
Risk of hand injury.
Safety gloves must be worn.



Do not direct lens to sun ray or strong light!



Do not actuate during operation



Replace any cracked protective shield



Minimum distance from lighted objects (metres)



Rated maximum ambient temperature



WARNING!
Read the safety precautions in this section before installing, powering, operating or servicing this product.

After receiving the fixture, please unpack and check if there is any damage due to transportation. If any obvious damage or flaw is found, do not put it into use and contact the distributor or manufacturer as soon as possible.



This fixture is intended for professional use only.
When operating the fixture, attentions should be drawn to fire/electric-shock hazards and lethal injuries caused by fall.



Read this User Manual before mounting and energizing the fixture.
Observe the safety guideline and notice the warnings both in this User Manual and on the fixture.
Yet any safety concerns not covered hereby, contact the distributor or service hot-line.

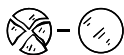
Protection against over heat

FINE 200C/400C FS is suitable for indoor environment; its protection rating is IP20.

$t_a = 40^\circ\text{C}$

The fixture should be kept dry and avoid working in presence of moisture, over-heat or heavy smokes.

The natural working temperature should be lower than 40 degrees. If the ambient temperature exceeds 40 degrees, please stop operating the unit immediately.



Protection against explosion

Protection screen must be replaced if they have become visible damaged to such an extent that their effectiveness is impaired.



Protection against injury due to falls

To inspect that the structure and the truss hooks are in good condition and can bear about 10 times the weight of the fixture.

Ensure the cover and all riggings are securely fastened, safety wire is necessary to use as a secondary attachment.

Block access below the working area and work from a stable platform while installing, servicing or moving the fixture.



Protection against electrical shock

All connections or maintenances must be performed by a qualified person with technical certificate.

Make sure that the mains power supply you use is up to local construction and electronic code regulation, the over-load protection reliable earthing is essential.



Each fixture must be grounded correctly, and be installed according to related regulation.

Disconnect the fixture from mains supply before replacing any fuse. Avoid using the fixture in damp environment.



Protection against burning or fire

Do not attempt to bypass the thermostat switch or fuse.

Replace defective fuses with specified ratings only.

Keep flammable materials far away from the fixture. Minimum distance from the flammable materials is 0.5m.

Under the steady working state, the max temperature of exterior surface of FINE 200C/400C FS is 60°C , Please don't touch the moving head during movement.

The minimum distance between the fixture and the lighted objects is 0.5m.



Ensure a minimum clearance of 0.1m around the cooling fans and ventilations

Do not place any filter or other object onto the optical lens.

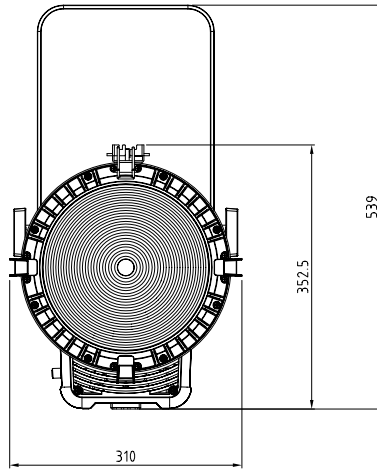
Allow the fixture to cool for at least 15 minutes before transit.

Do not revise the fixture or install any parts not from FINE ART.

2.Product introduction

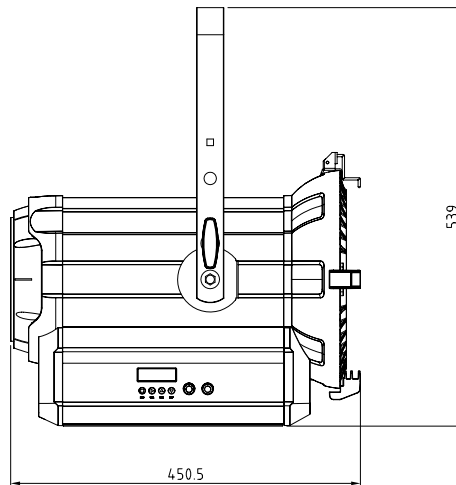
2.1 Fixture profile dimension

- Front view



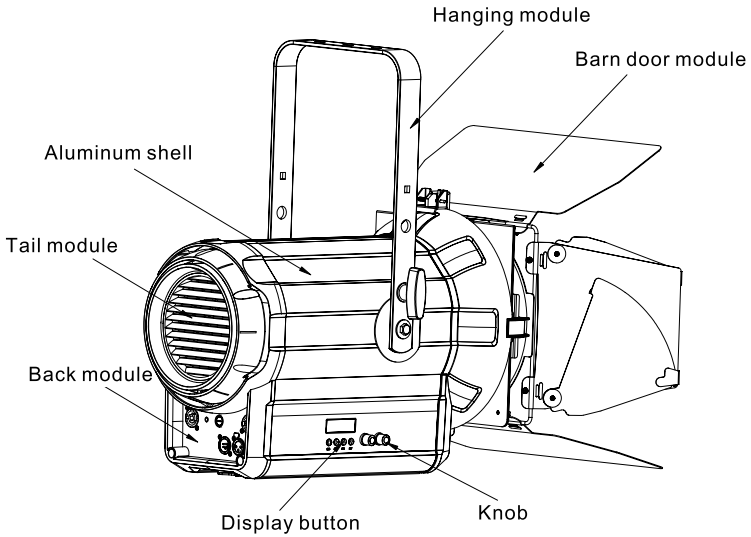
(2.1-1)

- Side view



(2.1-2)

2.2 Fixture introduction



(2.2-1)

3.Package & delivery

FINE 200C/400C FS is packed with flight case .One single standard flight case carries four fixtures or two fixtures. Included items listed below:

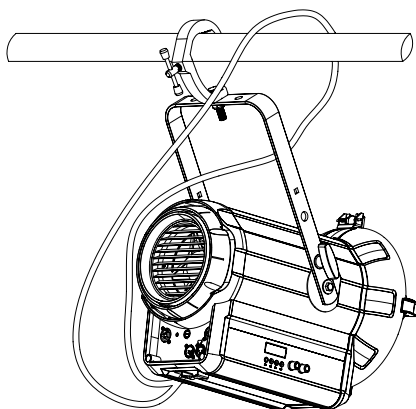
| Accessories | QTY | UNIT |
|-----------------|-----|------|
| Clamp Moudle | 1 | PCS |
| Data Cable | 1 | PCS |
| Safety Wire | 1 | PCS |
| Power Connector | 1 | PCS |
| Power Plug | 1 | PCS |
| Fuse | 2 | PCS |
| User Manual | 1 | PCS |

4. Installation

User must be termly check the fixture and its install materials,if you are non-qualified to check that, please contact the professional person. Wrong installation will result in fatal hazard.

The fixture working ambient temperature are between -10°C - 40°C , When ambient temperature over the range, don't operate the fixture. When the fixture are in installation, teardown, remove or servicing, don't stand under the fixture. Operator must be insure the fixture are safely connected. The input power supply must match the specific type demanded by the fixture. Make sure the installation check annually by professional person. The fixture of light source shall be replaced by the manufacturer or service agent or someone with similar qualifications.

Hang on the truss with clamps



Please add one safety rope after the fixture is hung on the truss.

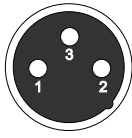
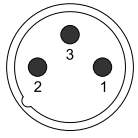
5. Data link

Note: The signal cable is type X connection.

Type X connection—if the external flexible cable or cord of this fixture is damaged, it shall be replaced by a special cord or cord exclusively available from the manufacturer or his service agent.

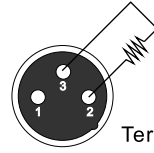
3-pin XLR or 5-pin XLR connectors are provided for fixture DMX input and output. Pin 1 is for earthing, pin 2 is for minus signals, and pin 3 is for plus signals.

To prevent and absorb the reflection and interference of the signals, each data link must be ended by a respective terminator.



Pin1: GND
 Pin2: Signal(-)
 Pin3: Signal(+)

3-pin XLR connector



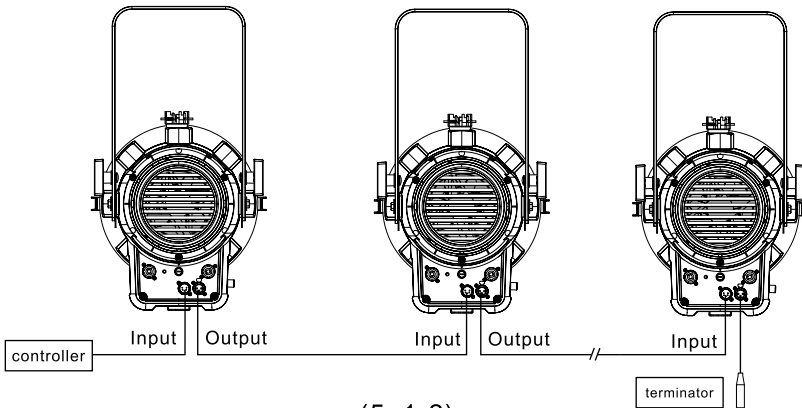
Terminator

Terminator specification: a 120Ω plug-in resistor with rated power of 0.25W, soldered between pin 2 and pin 3 at the end of respective data link.

(5. 1-1)

Connect the 3-pin or 5-pin output of a lighting controller to the 3-pin or 5-pin input of a first fixture on the link, then connect the 3-pin or 5-pin output of the said first fixture to the 3-pin or 5-pin input of a second fixture. Similarly, repeat the above connection step and end the data link with a plug-in terminator. Shown as Fig. 5.1-1 below.

If long-distance data transfer occurs, a DMX512 signal amplifier is necessary. The added amplifier is inserted between the lighting controller and the first fixture on the basis of a normal data link.



(5. 1-2)

Notice:

1. No more than one signal input or output can occur in one fixture.
2. Don't split a data link via output ports on the fixture, use a DMX512 signal amplifier instead, if necessary.
3. Use only shielded-pair cables, and standard microphone cable is not reliable for long-distance data transfer.

6. Power Connection

Notice: Type X attachment for power supply connection.

Method of attachment of the cable or cord such that any replacement can only be made by the manufacturer, his service agent or similarly qualified person.

The person must have the relevant qualification to connect the power supply. The AC power voltage shall be suitable to the fixture provided with over-loading or creepage protection.

Connecting the equipment to the power supply, do not connect to silicon box system, or else, it will destroy the equipment. The fixture is provided with standard 3-pin socket. Please according to table 6.1-1 connect to power supply, Yellow/green line must be earthed. If you still have any question to the installation, please consult with the experienced electrician.

| Color | Wire | Mark |
|--------------|---------|------|
| Brown | Live | L |
| Blue | Neutral | N |
| Yellow/Green | Earth | ⊕ |

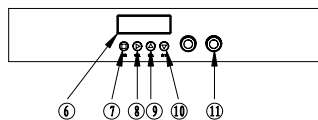
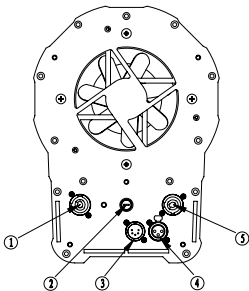
table 6.1-1

Notice: FINE 200C FS: Do not connect in series exceed 4 units fixtures at 110V~;
Do not connect in series exceed 8 units fixtures at 220V~.

FINE 400C FS: Do not connect in series exceed 2 units fixtures at 110V~;
Do not connect in series exceed 4 units fixtures at 220V~.

7. Control Panel

7.1 Control Panel Introduction



1. Power in
2. Fuse
3. DMX in
4. DMX out
5. Power out
6. Display screen
7. Menu
8. Enter
9. Up
10. Down
11. Knob

7.2 Display panel operational function detail

| Menu | | | |
|------------------------------------|---------|-------|------------------|
| 200C FS/400C FS(Hang&Pole-control) | | | |
| ID | | 1-512 | Address code |
| DIMM | R Red | 0-100 | Dimmer |
| | G Green | 0-100 | Dimmer |
| | B Blue | 0-100 | Dimmer |
| | L Lime | 0-100 | Dimmer |
| | A Amber | 0-100 | Dimmer |
| | C Cyan) | 0-100 | Dimmer |
| ZOOM | | | FOCUS |
| SET | MODE | 6-CCT | 6 channels mode |
| | | 8-HSC | 8 channels mode |
| | | 11-CR | 11 channels mode |
| | FAN | POWR | Fast |
| | | LIVE | Automatic |
| | | STDO | Mute |
| | CURV | DIM4 | |
| | | DIM3 | |
| | | DIM2 | |
| | | DIM1 | |
| | | OFF | |
| | CURV | CV3 | Curve 3 |
| | | CV2 | Curve 2 |
| | | CV1 | Curve 1 |
| | | OFF | Curve off |
| | | MSGN | NO |
| | | YES | Signal on |
| | REST | | Reset |

| Menu | | | |
|-------------------------------------|---------|--------|------------------|
| 200C FS/400C FS(Electronic control) | | | |
| ID | | 1-512 | Address code |
| DIMM | R Red | 0-100 | Dimmer |
| | G Green | 0-100 | Dimmer |
| | B Blue | 0-100 | Dimmer |
| | L Lime | 0-100 | Dimmer |
| | A Amber | 0-100 | Dimmer |
| | C Cyan) | 0-100 | Dimmer |
| ZOOM | | | FOCUS |
| SET | MODE | 8-CCT | 8 channels mode |
| | | 10-HSC | 10channels mode |
| | | 13-CR | 13 channels mode |
| | FAN | POWR | Fast |
| | | LIVE | Automatic |
| | | STDO | Mute |
| | CURV | DIM4 | |
| | | DIM3 | |
| | | DIM2 | |
| | | DIM1 | |
| | | OFF | |
| | CURV | CV3 | Curve 2 |
| | | CV2 | Curve 2 |
| | | CV1 | Curve 1 |
| | | OFF | Curve off |
| | | MSGN | NO |
| | | YES | Signal on |
| | REST | | Reset |

8. Technical Feature

◇OPTICAL SYSTEM

Light Source: FINE 200C FS:200W(RGBLAC)
FINE 400C FS:400W(RGBLAC)

Electric Zoom: 15° ~60°

Color Temperature: 2800-6300K

Ra >93 R9>93

◇FEATURE

Housing: Aluminum alloy die-casting + plastic shell

◇ELECTRONIC CONTROL TECHNOLOGY

Control Channel: 6(CCT)/8(HSC)/11(CR)

8(CCT)/10(HSC)/13(CR)

Protocol: Standard DMX512

Control Panel: LED screen + button

◇ELECTRIC

100-240V~ 50/60Hz

FINE 200C FS input Power: 230W, PF≥0.98

FINE 400C FS input Power: 400W, PF≥0.98

◇DIMENSION AND WEIGHT

Fixture Dimension:

450.5mm x 310mm x 539mm

Package Dimension:

886mmx 786mm x556mm (1:2)(Pole control&Electronic control)

1100mm x 680mm x555mm (1:4)(Hang)

Net Weight: 12kg

Gross Weight:

54kg(1:2)(Pole control&Electronic control)

97kg(Hang)(1:4)(Hang)

◇PACKAGE

4 pcs / Flight case

2 pcs / Flight case

◇INSTALLMENT

Position: 0-180°

Hanging: Standard Hanging /pole-controlled/electronic controlled

Safety: Safety Cable

◇WORKING ENVIRONMENT

Temperature: -10°C- 40°C

Humidity: 5%-95%

◇IP RATE

IP20

9.Control Channel

Hang&Pole control

| Channel List | | | |
|--------------|----------|------------|-----------|
| Channel | 6 | 8 | 11 |
| 1 | Dimmer | Hue | Dimmer |
| 2 | CTO | Hue fine | R (Red) |
| 3 | N/A | Saturation | G (Green) |
| 4 | Strobe | Luminance | B (Blue) |
| 5 | Focus | CTO | L (Lime) |
| 6 | Function | Strobe | A (Amber) |
| 7 | | Focus | C (Cyan) |
| 8 | | Function | N/A |
| 9 | | | Strobe |
| 10 | | | Focus |
| 11 | | | Function |

| 6-CCT Channel mode table | | | |
|--------------------------|----------|---------|-----------------------|
| CH1 | Dimmer | 0-255 | Dimmer 0-100% |
| CH2 | CTO | 0-5 | 3200K |
| | | 6-254 | 2800~6500K |
| | | 255 | 5600K |
| CH3 | N/A | --- | --- |
| CH4 | Strobe | 0-5 | None |
| | | 6-105 | Standard strobe |
| | | 106-110 | None |
| | | 110-179 | Thunder strobe |
| | | 180-185 | None |
| | | 186-255 | Random strobe |
| CH5 | Focus | 0-255 | 12° -60° focus |
| CH6 | Function | 0-5 | Vacant |
| | | 6-25 | Fan fast |
| | | 26-50 | Fan slow |
| | | 51-75 | Fan automatic |
| | | 76-85 | Pan forward rotation |
| | | 86-95 | Pan reverse rotation |
| | | 96-105 | Tilt forward rotation |
| | | 106-115 | Tilt reverse rotation |
| | | 116-179 | Vacant |
| | | 180-200 | Reset |
| 201-255 | Vacant | | |

| 8-HSC Channel mode table | | | |
|---------------------------------|------------|---------|-----------------------|
| CH1 | Hue | 0-255 | |
| CH2 | Hue fine | 0-255 | |
| CH3 | Saturation | 0-255 | |
| CH4 | Luminance | 0-255 | |
| CH5 | CTO | 0-255 | |
| CH6 | Strobe | 0-5 | None |
| | | 6-105 | Standard strobe |
| | | 106-110 | None |
| | | 110-179 | Thunder strobe |
| | | 180-185 | None |
| | | 186-255 | Random strobe |
| CH7 | Focus | 0-255 | 12° -60° focus |
| CH8 | Function | 0-5 | Vacant |
| | | 6-25 | Fan fast |
| | | 26-50 | Fan slow |
| | | 51-75 | Fan automatic |
| | | 76-85 | Pan forward rotation |
| | | 86-95 | Pan reverse rotation |
| | | 96-105 | Tilt forward rotation |
| | | 106-115 | Tilt reverse rotation |
| | | 116-179 | Vacant |
| | | 180-200 | Reset |
| 201-255 | Vacant | | |

| 11-CR Channel mode table | | | |
|---------------------------------|----------|---------|-----------------------|
| CH1 | Dimmer | 0-255 | |
| CH2 | R | 0-255 | Red |
| CH3 | G | 0-255 | Green |
| CH4 | B | 0-255 | Blue |
| CH5 | L | 0-255 | Lime |
| CH6 | A | 0-255 | Amber |
| CH7 | C | 0-255 | Cyan |
| CH8 | N/A | | |
| CH9 | Strobe | 0-5 | None |
| | | 6-105 | Standard strobe |
| | | 106-110 | None |
| | | 110-179 | Thunder strobe |
| | | 180-185 | None |
| | | 186-255 | Random strobe |
| CH10 | Focus | 0-255 | 12° -60° focus |
| CH11 | Function | 0-5 | Vacant |
| | | 6-25 | Fan fast |
| | | 26-50 | Fan slow |
| | | 51-75 | Fan automatic |
| | | 76-85 | Pan forward rotation |
| | | 86-95 | Pan reverse rotation |
| | | 96-105 | Tilt forward rotation |
| | | 106-115 | Tilt reverse rotation |
| | | 116-179 | Vacant |
| | | 180-200 | Reset |
| 201-255 | Vacant | | |

Electronic control

| Channel List | | | |
|--------------|----------|------------|-----------|
| 通道 | 8CCT | 10HISC | 13EXTEND |
| 1 | Dimmer | Hue | Dimmer |
| 2 | CTO | Hue fine | R (Red) |
| 3 | N/A | Saturation | G (Green) |
| 4 | Strobe | Luminance | B (Blue) |
| 5 | Focus | CTO | L (Lime) |
| 6 | X | Strobe | A (Amber) |
| 7 | Y | Focus | C (Cyan) |
| 8 | Function | X | N/A |
| 9 | | Y | Strobe |
| 10 | | Function | Focus |
| 11 | | | X |
| 12 | | | Y |
| 13 | | | Function |

| 8-CCT Channel List | | | |
|--------------------|----------|---------|-----------------------|
| CH1 | Dimmer | 0-255 | Dimmer 0-100% |
| CH2 | CTO | 0-5 | 3200K |
| | | 6-254 | 2800~6500K |
| | | 255 | 5600K |
| CH3 | N/A | --- | --- |
| CH4 | Strobe | 0-5 | None |
| | | 6-105 | Standard strobe |
| | | 106-110 | None |
| | | 110-179 | Thunder strobe |
| | | 180-185 | None |
| | | 186-255 | Random strobe |
| CH5 | Focus | 0-255 | 12° -60° focus |
| CH6 | Pan | 76-95 | Pan forward rotation |
| | | 96-115 | Pan reverse rotation |
| CH7 | Tilt | 76-95 | Tilt forward rotation |
| | | 96-115 | Tilt reverse rotation |
| CH8 | Function | 0-5 | Vacant |
| | | 6-25 | Fan fast |
| | | 26-50 | Fan slow |
| | | 51-75 | Fan automatic |
| | | N/A | |
| | | N/A | |
| | | N/A | |
| | | N/A | |
| | | 116-179 | Vacant |
| | | 180-200 | Reset |
| | | 201-255 | Vacant |

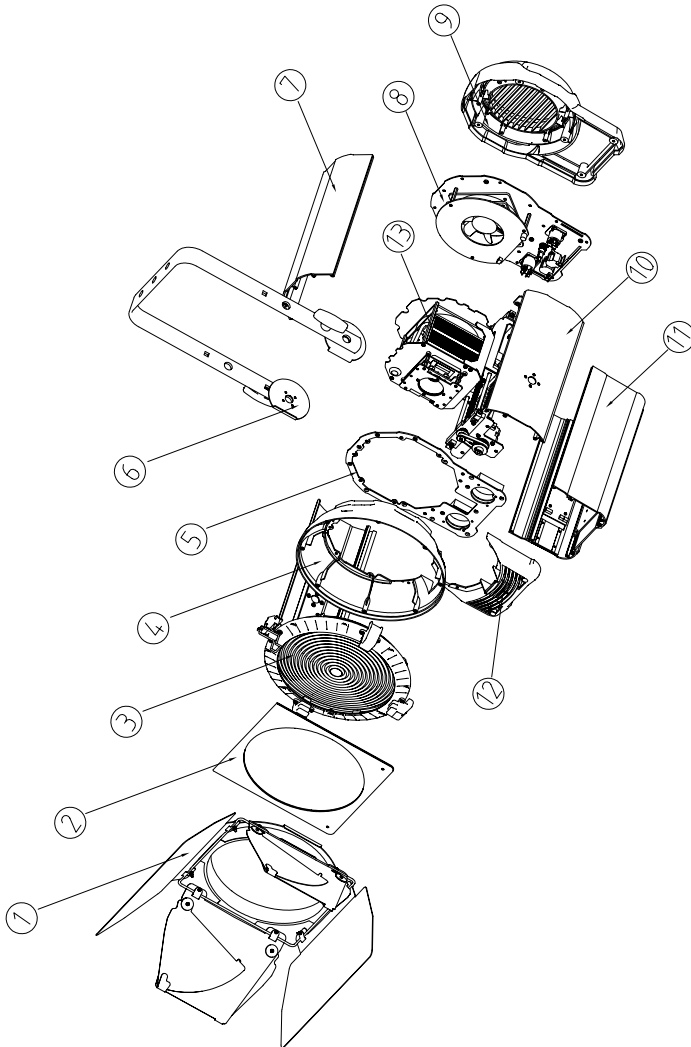
| 10-HSC Channel List | | | |
|---------------------|------------|---------|-----------------------|
| CH1 | Hue | 0-255 | |
| CH2 | Hue fine | 0-255 | |
| CH3 | Saturation | 0-255 | |
| CH4 | Luminance | 0-255 | |
| CH5 | CTO | 0-255 | |
| CH6 | Strobe | 0-5 | None |
| | | 6-105 | Standard strobe |
| | | 106-110 | None |
| | | 110-179 | Thunder strobe |
| | | 180-185 | None |
| | | 186-255 | Random strobe |
| CH7 | Focus | 0-255 | 12° -60° focus |
| CH8 | Pan | 76-95 | Pan forward rotation |
| | | 96-115 | Pan reverse rotation |
| CH9 | Tilt | 76-95 | Tilt forward rotation |
| | | 96-115 | Tilt reverse rotation |
| CH10 | Function | 0-5 | Vacant |
| | | 6-25 | Fan fast |
| | | 26-50 | Fan slow |
| | | 51-75 | Fan automatic |
| | | N/A | |
| | | N/A | |
| | | N/A | |
| | | N/A | |
| | | 116-179 | Vacant |
| | | 180-200 | Reset |
| 201-255 | Vacant | | |

| 13-CR Channel List | | | |
|--------------------|----------|---------|-----------------------|
| CH1 | Dimmer | 0-255 | |
| CH2 | R | 0-255 | Red |
| CH3 | G | 0-255 | Green |
| CH4 | B | 0-255 | Blue |
| CH5 | L | 0-255 | Lime |
| CH6 | A | 0-255 | Amber |
| CH7 | C | 0-255 | Cyan |
| CH8 | N/A | | |
| CH9 | Strobe | 0-5 | None |
| | | 6-105 | Standard strobe |
| | | 106-110 | None |
| | | 110-179 | Thunder strobe |
| | | 180-185 | None |
| | | 186-255 | Random strobe |
| CH10 | Focus | 0-255 | 12° -60° focus |
| CH11 | Pan | 76-95 | Pan forward rotation |
| | | 96-115 | Pan reverse rotation |
| CH12 | Tilt | 76-95 | Tilt forward rotation |
| | | 96-115 | Tilt reverse rotation |
| CH13 | Function | 0-5 | Vacant |
| | | 6-25 | Fan fast |
| | | 26-50 | Fan slow |
| | | 51-75 | Fan automatic |
| | | N/A | |
| | | N/A | |
| | | N/A | |
| | | N/A | |
| | | 116-179 | Vacant |
| | | 180-200 | Reset |
| 201-255 | Vacant | | |

10.Parts Code

| Item | Specification | P/N |
|--------------------|---|--------------|
| Power supply(200C) | INPUT : 100-264Vac, OUTPUT : 48V/5.2A, POWER : 250W | 330001200072 |
| Power supply(400C) | INPUT : 90-264Vac, OUTPUT : 48V/8.33A, POWER : 400W | 330001200070 |
| Driver board(200C) | | 330720100023 |
| Driver board(400C) | | 330720100021 |
| Display board | | 330720100022 |
| LED(200C) | | 280202000158 |
| LED(400C) | | 280202000168 |
| Hall board | | 330720100001 |
| DMX board | | 330720100015 |

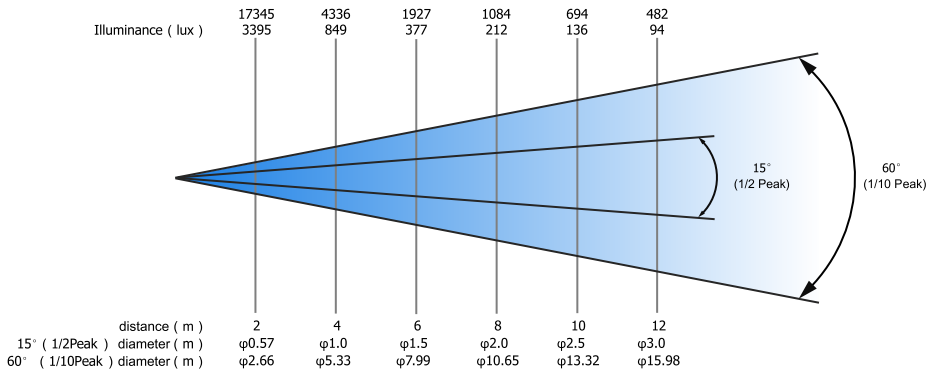
Attached1: Exploded view



| NO. | Item | NO. | Item | NO. | Item |
|-----|------------------------|-----|-------------------------|-----|----------------|
| 1 | Barn door module | 2 | Color Frame | 3 | Mirror module |
| 4 | Head cover 1 | 5 | Metal plate of upper | 6 | Hanging module |
| 7 | Aluminum housing upper | 8 | Back module | 9 | back cover |
| 10 | Aluminum housing right | 11 | Aluminum housing bottom | 12 | Head cover 2 |
| 13 | Internal main parts | | | | |

Attached2: Photometric diagram

FINE 200C FS



FINE 400C FS

