

Introduction

This product is a hand-held software update box, mainly used for fixture software upgrade and simple DMX control and reception. The update box provides USB card reader function, can read and write large capacity SD card, support USB charging. The screen is a 1.3-inches OLED screen with a resolution of 128X 64. The font is compact and clear. It also has good display effect at outdoor. The software is designed with Chinese and English menus, and can switch languages at any time. The menu structure is tabular. It has the function of fallback memory function and is easy to operate.

Declaration

This product has passed the final check for both functionalities and package when delivered from the factory. All users should observe the instructions and pay attentions to the warnings covered by this manual. Unreasonable damages resulting from unintended operations or not heeding instructions covered by this manual will void the warranty. Specifications in this manual intend for reference only, the product delivered takes the priority. Any product modification pertaining to content of this manual, there will be no particular notifications. FINE ART reserves all copyrights. To obtain the latest information about software update, hardware and other files, please visit FINE ART online website.

P/N:390522000034 Edition:A

Content

1.Product introduction.	2
1.1 Fixture profile dimension.	2
1.2 Fixture introduction.	2
2.Technical feature.	3
3.Package & delivery.	4
4.Operational instructions	4
4.1 Preliminary preparation.	4
4.2 Fixture update.	4
4.3 Other functions.	5

Product introduction

Fixture profile dimension

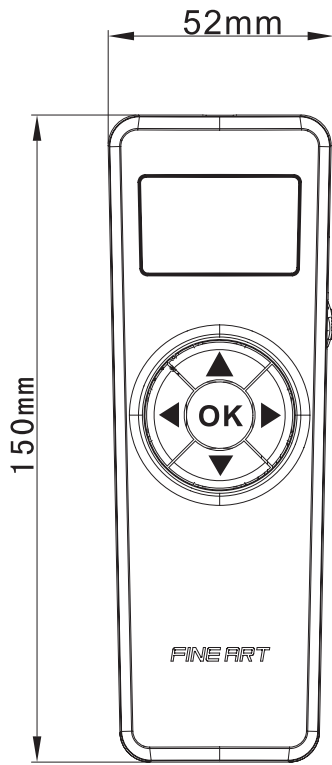


Fig1. 1-1

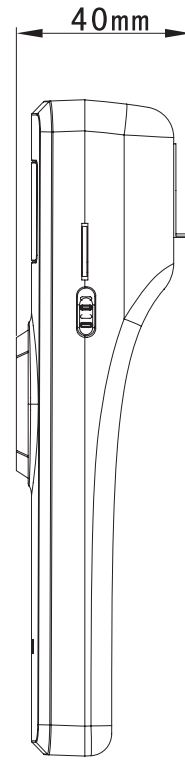


Fig1. 1-2

Fixture introduction

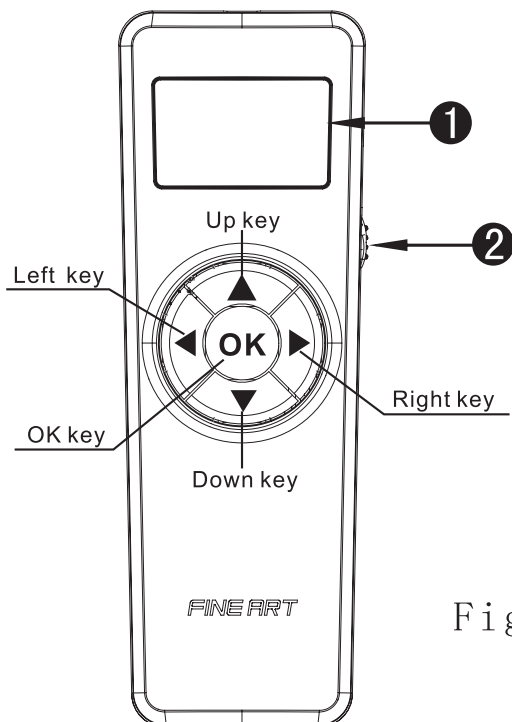


Fig1. 2-1

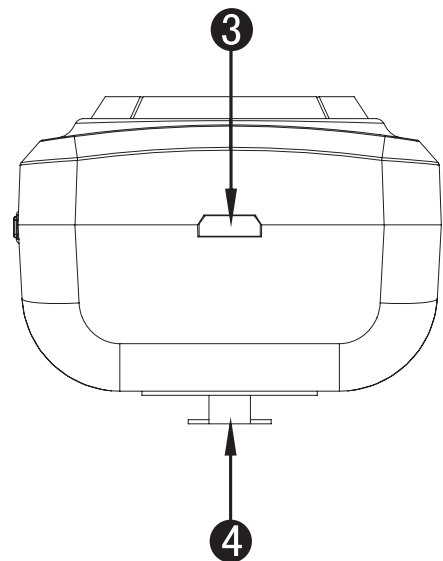


Fig1. 2-2

- | | |
|-----------------|--|
| ① Display | Built-in 1.3 inches black-and-white OLED screen |
| ② Power switch | press to switch the supply on/off |
| ③ USB port | Connect USB data line for charging or transmitting data |
| ④ DMX interface | Parameters can be set after the fixture is connected with DMX line |

Technical feature

Control channel: Control 512 channels

Protocol: Standard DMX512 protocol

DMX Signal Connection: 3-pin XLR output (5-pin XLR for option)

Menu Display: Built-in 1.3 inches OLED screen

Built-in self-rechargeable lithium batteries can be charged with USB port when switch is off

Can view the received 512 DMX channel values

Information query

Power Supply: DC5V

Input Power: 5W

Working Environment

Temperature: -10°C ~ 45°C

Humidity :5%~95%

Product Dimension:

150mm × 52mm × 40mm

Net Weight: 0.13kg

IP RATE

IP20

Package & delivery

Included items:

UPDATE BOX is packed with package, included items listed below:

UPDATE BOX	1PCS
User manual	1PCS
USB data line	1PCS
Adaptor for three pins to five pins	1PCS

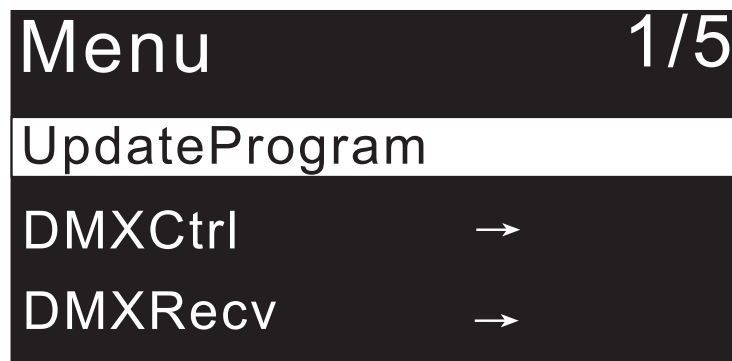
Operational Instructions

4. 1 Preliminary preparation

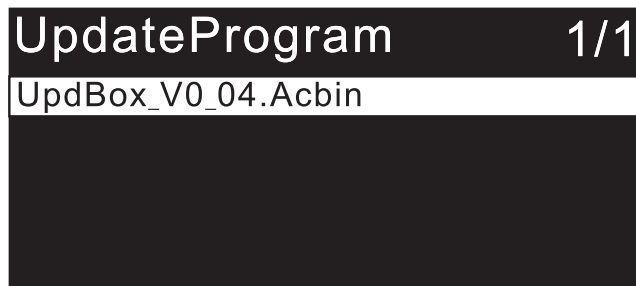
Open the directory where the encryption update file are stored, copy the encrypted update file to the root directory of the SD card in the update box. When the computer connects the update box with USB cable, you can find the USB disk and copy the encrypted file to the root directory as the update box is with the function of USB card reader.

4. 2 Fixture update

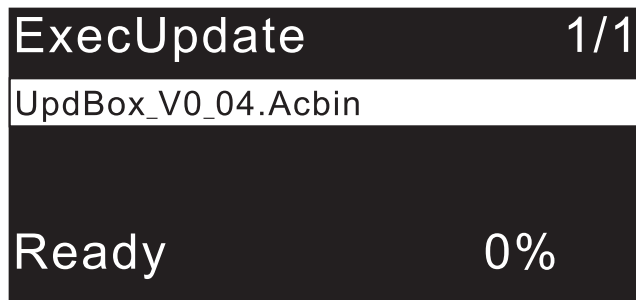
- 1.Connect update box with DMX wire
- 2.Open the power switch on the right side of the update box, and display the company logo and update box information in turn after the software starts, and the main menu will be displayed after the start-up is completed.



- 3.Select the **update program** with the **up and down direction keys** and click **OK** to enter the update file for selection menu. Select a file from the file list and press **OK**.



4. Make sure that the selected file is the file corresponding to the fixture, then click the **down** key to update, and the status will become **updating**.



5. Update percentage will be occurred during the update process, and when updated to 100%, the update is successful. If you need to cancel during the update process, please press the **left** key.

4.3 Other functions

1.DMX CTRL: You can control DMX by selecting **DMX CTRL** and pressing **OK** key in the main menu. Press the **up and down** keys to select the corresponding channel, and press **OK** key to modify the value, then press **OK** key to confirm the value, or press **left** key to cancel the change;

2.DMX RECV: You can receive DMX by selecting **DMX RECV** and pressing **OK** key in the main menu. Press the up and down keys to select the corresponding channel range. Each screen displays up to 20 channel values. The channel start number is in the middle of the first line. SCX on the right side represents the DMX start code, press **OK** key to switch to channel 1-20.

3.INFO: The software version and battery power can be displayed in the information query menu.

4.SETTING: You can set the interface language and update by yourself in the settings menu. The operation of self-updating is consistent with fixture update.

The file name of self-update is UpdBox_Vx_xx.Acbin.