

# Contents

<b>Contents</b> .....	1
<b>1. Safety information</b> .....	2
<b>2. Product introduction</b> .....	4
2.1 Fixture profile dimensions.....	4
2.2 Fixture introduction.....	5
<b>3. Package &amp; delivery</b> .....	6
3.1 Included items.....	6
3.2 Transportation.....	6
3.3 Unpacking.....	6
<b>4. Installation</b> .....	7
4.1 Installation riggings.....	7
4.2 Equipment installation.....	8
4.3 Tips for data link.....	9
<b>5. AC power supply</b> .....	10
5.1 Fuses.....	10
5.2 Power connection.....	10
<b>6. Control panel</b> .....	11
6.1 Control panel introduction.....	11
6.2 Control panel operational introduction.....	11
<b>7. Technical feature</b> .....	13
7.1 Production feature explanation.....	13
<b>8. Controlling channels</b> .....	14
8.1 Menu control channel.....	15
<b>9. Routine maintenance</b> .....	18
9.1 Clean & Maintenance.....	18
<b>10. Ordering P/N</b> .....	19
<b>Attached 1: FINE 156 BATTEN/156 BATTEN OD photometric diagram</b>	
<b>Attached 2: FINE 156 BATTEN Fixture exploded drawing</b>	
<b>Attached 3: FINE 156 BATTEN OD Fixture exploded drawing</b>	
<b>Attached 4: FINE 156 BATTEN wiring diagram</b>	
<b>Attached 5: FINE 156 BATTEN OD wiring diagram</b>	

---


## ★ Declaration

This product has passed the final check for both functionalities and package when delivered from the factory. All users should observe the instructions and pay attentions to the warnings covered by this manual. Unreasonable damages resulting from unintended operations or not heeding instructions covered by this manual will void the warranty. Specifications in this manual intend for reference only, the fixture delivered takes the priority. Any future modification pertaining to content of this manual, there will be no particular notifications. FINE ART reserves all copyrights. To obtain the latest information about software update, hardware and other files, please visit FINE ART website.

The following symbols are used to identify important safety information on the product and in this manual:

# 1. Safety information



**WARNING!**  
Read the safety precautions in this section before installing, powering, operating or servicing this product.

After receiving the fixture, please unpack and check if there is any damage due to transportation. If any obvious damage or flaw is found, do not put it into use and contact the distributor or manufacturer as soon as possible.



This fixture is intended for professional use only.



Read this User Manual before mounting and energizing the fixture. Observe the safety guideline and notice the warnings both in this User Manual and on the fixture. Yet any safety concerns not covered hereby, contact the distributor or service hot-line.

### Protection against over heat



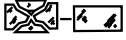
$t_a = 40^\circ\text{C}$

FINE 156 BATTEN is intended for indoor application, its protection rating is IP20.

FINE 156 BATTEN OD intended for indoor and outdoor application, its protection rating is IP54.

The fixture should be kept dry and avoid working in presence of moisture, over-heat or heavy smokes.

The natural working temperature is  $-10^\circ\text{C} \sim 40^\circ\text{C}$  degrees. If the ambient temperature exceeds 40 degrees, please stop operating the unit immediately.



### Protection against explosion

Shields, lenses and ultraviolet screens must be replaced if they have become visible damaged to such an extent that their effectiveness is impaired. Replace the lamp immediately if it becomes visually deformed,



### Protection against injury due to falls

Do not lift or carry the fixture alone.

To inspect that the structure and the truss hooks are in good condition and can bear about 10 times the weight of the fixture.

Ensure the cover and all riggings are securely fastened, safety wire is necessary to use as a secondary attachment.

Block access below the working area and work from a stable platform while installing, servicing or moving the fixture.



### Protection against electrical shock

All electrical connections must be performed by a qualified person with technical certificate.

Make sure that the mains power supply you use is up to local construction and electronic code regulation, the over-load protection reliable earthing is essential.

Each fixture must be grounded correctly, and be installed according to related regulation.

Disconnect the fixture from AC power before removing or installing any cover or part, including the lamp and fuses, and when not in use.

Do not expose the fixture to rain or moisture.



### Protection against burning or fire

Please do not install the fixture onto combustible surface.

Do not attempt to bypass the thermostat switch or fuse.

Replace defective fuses with specified ratings only.

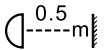
Keep flammable materials far away from the fixture. Minimum distance from the flammable materials is 0.5m.



Under the steady working state, the max temperature of exterior surface is 75°C.

The minimum distance between fixture and the lighted objects is 0.5m.

Do not revise the fixture or install any parts not from Guangzhou CHAI YI LIGHT Co.Ltd.



# 2.Product introduction

## 2.1 Fixture profile dimensions

### FINE 156 Batten

Front view

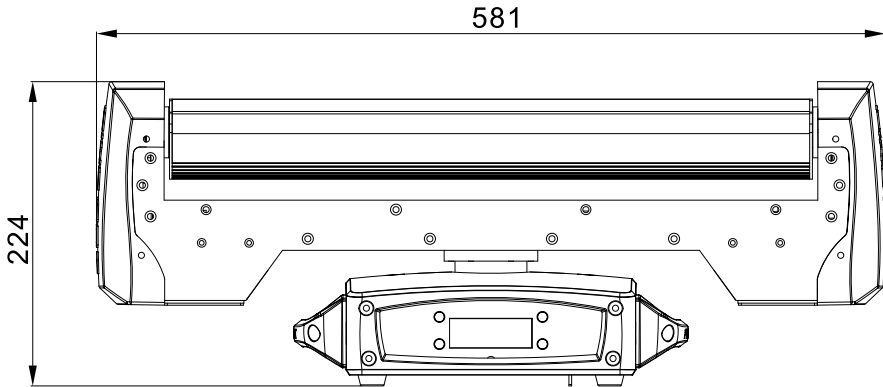


Fig.(2.1-1)

Side view(FINE 156 Batten/156 BATTEN OD)

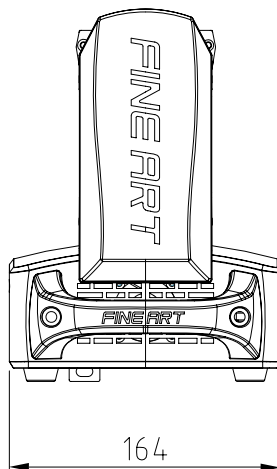


Fig.(2.1-2)

# FINE 156 Batten OD

Front view

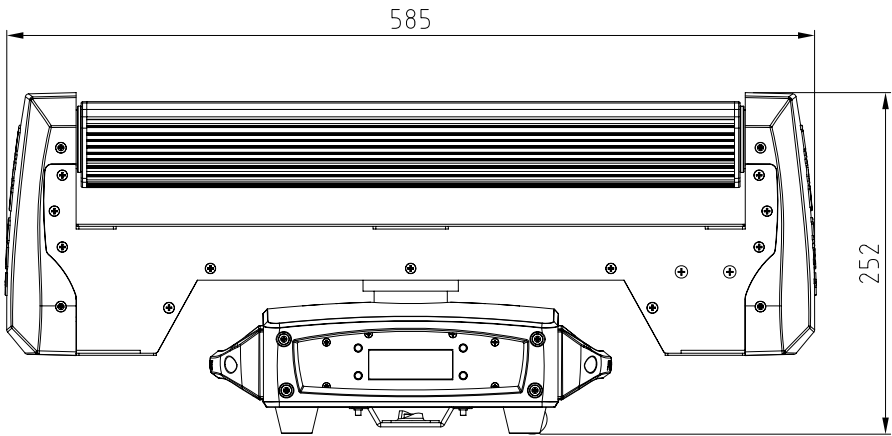
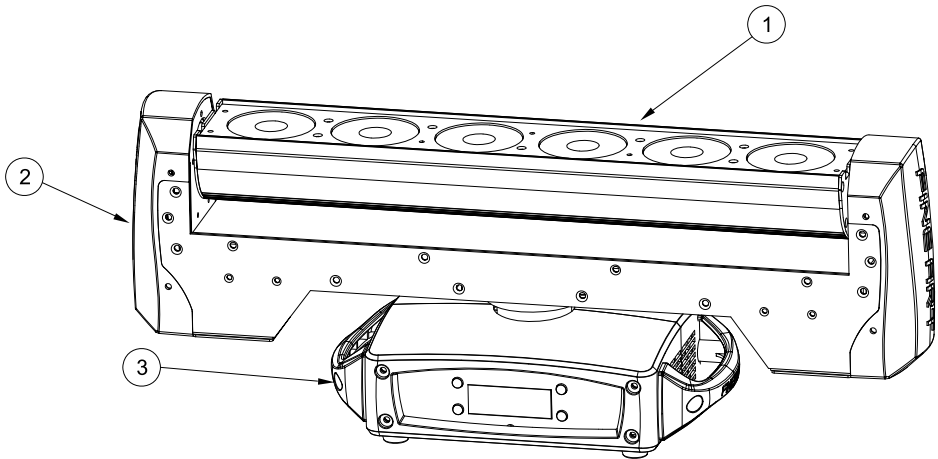


Fig.(2.2-3)

## 2.2 Fixture introduction



1. Head module

2. Yokes module

3. Base module

# 3.Package & delivery

## 3.1 Included items

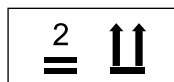
FINE 156 BATTEN/156 BATTEN-OD is packed with flight case or carton with foam backing. One single standard flight case carries 8 fixtures (optionally, one flight case included items listed below( shown as table):

Accessories	QTY	UNIT
User manual	1	PCS
Warranty card	1	PCS
Suspension fasteners	1	SET
Signal cable	1	PCS
Safety wire	1	PCS
Fuse	2	PCS
Power Cable	1	PCS

NO fuse for FINE 156 BATTEN OD

## 3.2 Fixture Package

1. Before packaging, please disconnect the fixture from power supply and wait at least 15 minutes for cooling.
2. Remove dust buildup on the exterior surface, tight the transportation lock.
3. Pack the fixture with an inner bag, grasp both handles on the base and carefully upside down the fixture, and gently place it onto the intended mounting recesses within the road-case.
4. Pack the included accessories into the road-case.
5. Road-case stacking do not exceed 2 layers, upside down the road-case is not allowed.



## 3.3 Unpacking

**Notice:** inspect the units upon reception. If there is any evident damage due to transit, do not use the units and notify FINE ART local distributor or contact Guangzhou CHAI YI LIGHT Co.,ltd directly.

1. Open the road-case and unpack the inner bag.
2. Grasp the handles on the base and lift the fixture out from the road-case. Alternatively, first open the upper casing of the road-case. Apply 2 sets of suspension clamps to the bottom of the base. Then lower the lifter to such a level where it's easier to clamp the fixture and the lifter together via a"G" hook. Secure the locking screw in the "G" hook. Finally, lift the fixture out of the flight case.

# 4. Installation

User must be termly check the fixture and its install materials, if you are non-qualified to check that, please contact the professional person. Wrong installation will result in fatal hazard.

The fixture working ambient temperature are between  $-10\sim 40^{\circ}\text{C}$ , When ambient temperature over the range, don't operate the fixture. When the fixture are in installation, teardown, remove or servicing, don't stand in under the fixture. Operator must be insure the fixture are safely connected. The input power supply must match the specific type demanded by the fixture. Make sure the installation check annually by professional person.

## 4.1 Installing Riggings

FINE 156 BATTEN/156 BATTEN OD can be put on stage floor or fixed on any brace or truss. Quick trigger locks can easily fix the fixture to mounting brackets shown as follows.

FINE 156 BATTEN

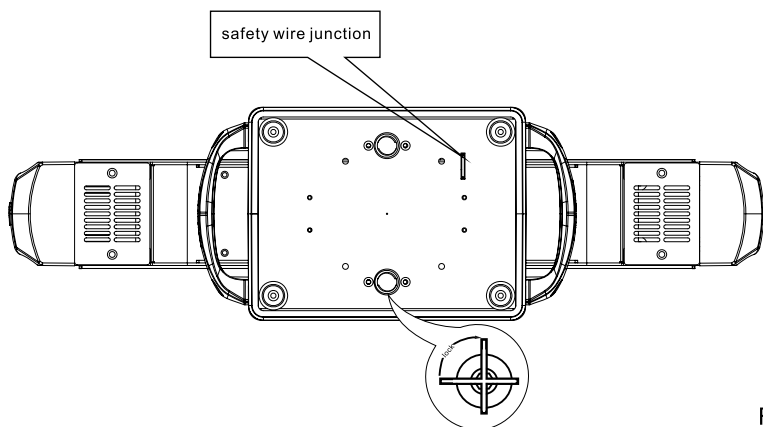


Fig 4.1-1

FINE 156Batten OD

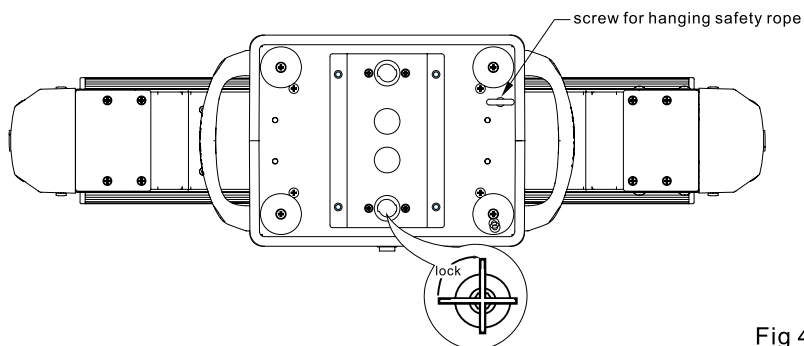


Fig 4.1-2



The fixture must be fixed by a pair of 1/4 turn clamps. Clockwise rotate the lever by 90°, then the clamp is securely lock.

## 4.2 Equipment Installation

1. To inspect the truss hook/rigging are in good condition and can bear about 10 times the weight of the light fixture. Be sure the truss or pipe construction can bear 10 times the weight of all equipments including lights, truss hooks, cables and accessories.
2. Lock each clamp securely to a clamp bracket with a 12M bolt and lock nut.
3. Install a clamp point in the base, insert the fasteners into the base and turn the two levers a full 1/4 buckle clockwise to lock it completely, and install the second clamp in the same way.
4. If the truss can be lift automatic up and down, the light fixture can be lifted and hooked from flight case directly. When the lights equipments need to lift high, the working area below should have some barrier to ensure the installation works operated under safety condition. Finally suspend the fixture onto the truss and fasten clamps all and lift truss totally.
5. Connect a safety rope which can bear 10 times weight of the fixture, the attachment is designed to fit a clamp.
6. Check the transportation lock have been unlocked, Be sure there is no explosive or inflammable materials around the fixture in 0.5 meter around.



The safety wire should attached to the hole on the mounting plate. Do not tie the safety wire to the handles instead.

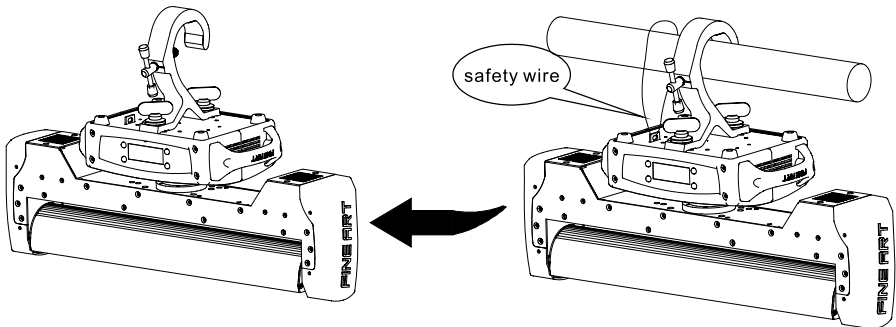


Fig. (4.2-1)



The fixtures must be placed upright, minimum spacing between each two fixtures in an array is 900mm, arrangement layout as shown in Fig.4.2-2.



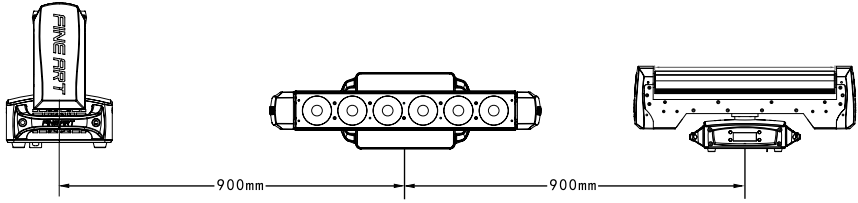


Fig. (4. 2-2)

### 4.3 Tips for Data Link

DMX 512 for data transferring.

**Note:** The signal cable was type Y connection.

Type Y connection—if the external flexible cable or cord of this fixture is damaged, it shall be replaced by a special cord or cord exclusively available from the manufacturer or his service agent.

3-pin/ 5-pin XLR connectors are provided for fixture DMX input and output. Pin 1 is for earthing, pin 2 is for minus signals, and pin 3 is for plus signals. To prevent and absorb the reflection and interference of the signals, each data link must be ended by a respective terminator.

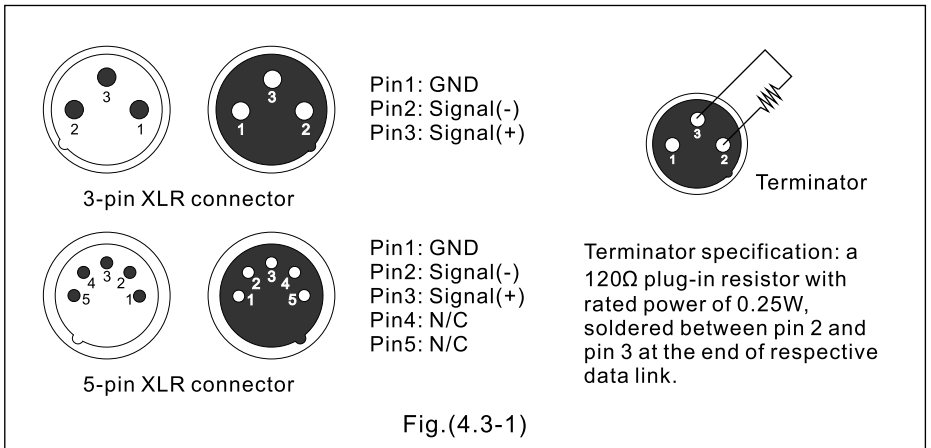
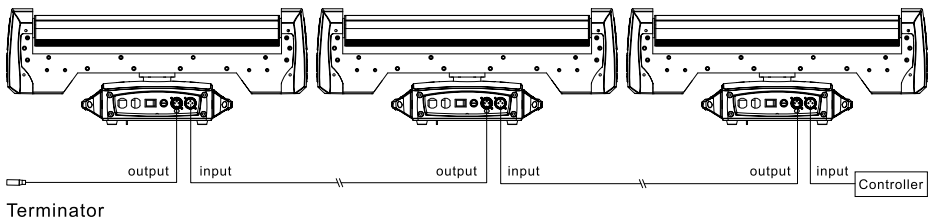


Fig.(4.3-1)

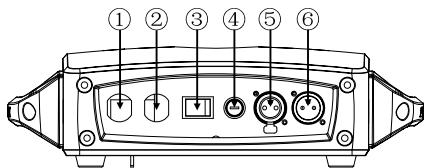
Connect the 3-pin/5-pin output of a lighting controller to the 3-pin/5-pin input of a first fixture on the link, then connect the 3-pin/5-pin output of the said first fixture to the 3-pin/5-pin input of a second fixture. Similarly, repeat the above connection step and end the data link with a plug-in terminator. Shown as Fig. 4.3-2 below.



Fig(4.3-2)

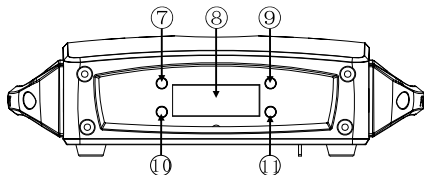
# 6. Control panel

## 6.1 Control panel introduction



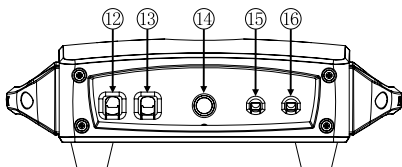
FINE 156 BATTEN XLR Panel

Fig(6.1-1)



Display Panel

Fig(6.1-2)



FINE 156 BATTEN-OD Power Panel

Fig(6.1-3)

1. Power input wire with male plug
2. Power output wire with female plug
3. Power switch
4. Fuse
5. 3-pins XLR (female)
6. 3-pins XLR (male)
7. Menu button
8. LCD display
9. Up button
10. Enter button
11. Down button
12. Power input wire with male plug
13. Power output wire with female plug
14. Waterproof button switch
15. Signal output wire with female plug
16. Signal input wire with male plug

## 6.2 Control panel operational instruction

1. Mains switch: It's power off when turning the mains switch to "O". And it's power on when turning the mains switch to "I".
2. Exit button: quit modification or return to upper menu.

If long-distance data transfer occurs, a DMX512 signal amplifier is necessary. The added amplifier is inserted between the lighting controller and the first fixture on the basis of a normal data link.

**Notice:**

1. No more than one signal input or output can occur in one fixture.
2. Don't split a data link via output ports on the fixture, use a DMX512 signal amplifier instead, if necessary.
3. Use only shielded-pair cables, and standard microphone cable is not reliable for long-distance data transfer.

# 5. AC power supply

## 5.1 Fuses

Power supply and fuses' type and rating:

Power	Fuse
200-240V~	3.15A/250V 5×20

NO fuse for FINE 156 BATTEN OD.

## 5.2 Power connection

**Notice:** Type Y attachment for power supply connection. Method of attachment of the cable or cord such that any replacement can only be made by the manufacturer, his service agent or similarly qualified person.

The person must have the relevant qualification to connect the power supply. The AC power voltage shall be suitable to the lamp provided with over-loading or creepage protection.

1. Connecting the equipment to the power supply, do not connect to silicon box system, or else, it will destroy the equipment. The fixture is provided with standard 2-pin socket. Please according to table 5.2-1 connect to power supply, Yellow/green line must be earthed. If you still have any question to the installation, please consultant with the experienced electrician.
2. When power is supplied, put the base switch to the position "I".


Color	Wire	Mark
Brown	Live	L
Blue	Neutral	N
Yellow/Green	Earth	

Table 5.2-1

**Notice:**

Do not exceed 6 units fixtures at 110V;  
 Do not exceed 12 units fixtures at 220V.

## Display panel operation chart

Main menu	Sub menu	value	Introduction
Addr		>[001~512]	DMX 512 add. Setting
Mode		14m1/15m1/26m1/30m1/32m1/36m1/56m1/61m1	Channel setting
Ctrl	Pan/PanF/Tlt/TltF/MSpd/PnRo/TtRo/RstP/Starb/Dim/Dimf/Edim/CITp/R1-6/Rf1-6/G1-6/Gf1-6/B1-6/Bf1-6/W1-6/Wf1-6	>[001~255]	Manual control
PTDr	PTxg/PRvs/TRvs	>on/off	Pan/tilt exchange/reverse
PTOf	POfs/TOfs	[-600~+599]	Pan/tilt "0" calibration
Sens	PZro/Tzro/PScn/TScn	Fine/Error	Sensor status
AuTp	Swth	>on/off	Auto temperature control switch
	Tep.	T[-40~120]	CPU temperature
Bus.		Manu/Auto	Main signal mode
Dir.		Norm/Reve	Led s array
Powr		[-15~+15]	Power adjustment
Test		>on/off	Led test
Ver.		[0000~FFFF]	Device version

# 7. Technical Feature

## 7.1 Production Feature Explanation

### Light source

6 pcs 15w RGBW LEDs  
Average Life Span > 50,000 h

### Optical system

Pan beam angle: 6° , spot angle: 10°  
Tilt beam angle: 5° , spot angle: 8°  
Luminous flux: 1800 lm  
Light efficiency: > 15 lm/w

### Movement

Pan/Tilt: infinite rotation

### Electric

100-240V~ 50/60Hz  
Input Power: 125W  
Input Current: 1.25A

### Electric control technology

Protocol: Standard DMX512, RDM  
Channel Mode: 14, 15, 26, 30, 32, 36, 56, 61  
Control Panel: LED screen + button  
Control Way: Pixie Control  
Effect: CTO and white balance control

### Physical

FINE 156 Batten  
Product Dimension: 581mm x 164mm x 224mm  
Package: 970mm x 510mm x 795mm  
Net Weight: 7.2 kg

### Package

8pcs /flight case

### Installment

Direction: Any  
Hanging: Standard hanging  
Safety: Safety cable

### Working temperature

-10°C~40°C

### IP rate

IP20

**Light source**

6 pcs 15w RGBW LEDs  
Average Life Span > 50,000 h

**Optical system**

Pan beam angle: 6° , spot angle: 10°  
Tilt beam angle: 5° , spot angle: 8°

**Movement**

Pan/Tilt: infinite rotation

**Electric**

100-240V~ 50/60Hz  
Input Power: 125W  
Input Current: 1.25A

**Electric control technology**

Protocol: Standard DMX512, RDM  
Channel Mode: 14, 15, 26, 30, 32, 36, 56, 61  
Control Panel: LED screen + button

**Physical**

Product Dimension: 585x164x252mm  
Package : 990x550x800mm  
Net Weight: 7.7kg

**Package**

8pcs /flight case

**Installment**

Direction: Any  
Hanging: Standard hanging  
Safety: Safety cable

**Working temperature**

-10°C~40°C

**IP rate**

IP20(Indoor)  
IP54(Outdoor)

# 8. Controlling Channels

## 8.1 Controlling Channels

Channel								Value	Fuction
Ch14	Ch15	Ch26	Ch30	Ch32	Ch36	Ch56	Ch61		
1	1	1	1	1	1	1	1		Pan move 8 bit
								0--255	Pan move
2	2	2	2	2	2	2	2		Pan move fine 16 bit
								0--255	Pan move fine
3	3	3	3	3	3	3	3		Tilit move 8 bit
								0--255	Tilit move
4	4	4	4	4	4	4	4		Tilit move fine 16 bit
								0--255	Tilit move fine
5	5	5	5	5	5	5	5		Motor move speed
								0--225	Max->Min
								226--235	Move when light off
								236--255	No function
6	6	6	6	6	6	6	6		Pan infinite rotation
								0--127	No function
								128--189	Forward pan rotate fastest to shorrest
								190--193	No rotation
7	7	7	7	7	7	7	7		Reverse pan rotate fastest to slowest
								194--255	
									Tilit infinite rotation
								0--127	No function
8	8	8	8	8	8	8	8		Forward tilit rotate fastest to shorrest
								128--189	No rotation
								190--193	No rotation
								194--255	Reverse tilit rotate fastest to slowest
9									Reset
								0--79	No function
								80--87	Reset all zhe motors
								88--255	No function
10									Pixel 1 - halogen lighting
								0--255	Pixel 1(0--off,255--100% halogen color)
11									Pixel 2 - halogen lighting
								0--255	Pixel 2(0--off,255--100% halogen color)
12									Pixel 3 - halogen lighting
								0--255	Pixel 3(0--off,255--100% halogen color)
13									Pixel 4 - halogen lighting
								0--255	Pixel 4(0--off,255--100% halogen color)
14									Pixel 5 - halogen lighting
								0--255	Pixel 5(0--off,255--100% halogen color)
14									Pixel 6 - halogen lighting
								0--255	Pixel 6(0--off,255--100% halogen color)

									Strobe
								9	0--7 Light off
								9	8--15 Light on
								9	16--151 Strobe speed slow->fast
								9	152--175 Brighter
								9	176--199 Dimmer
								9	200--223 Random strobe slow->fast
								9	224--255 Light on
								10	Total dimmer
								10	0--255 Brightness 0 to 100%
								11	Total dimmer fine
								11	0--255 (0-100% dimmer fine)
								12	Smooth dimmer
								12	0--7 Sudden dimmer speed (default)
								12	8--15 Smooth dimmer speed (slow)
								12	16--21 Fast dimmer speed
								12	22--255 Sudden dimmer speed
								13	Smooth dimmer
								13	0--9 Normal color temperature (whole power)
								13	10--19 2000K
								13	20--29 2050K
								13	30--39 2700K
								13	40--49 3200K
								13	50--59 3400K
								13	60--69 4200K
								13	70--79 4900K
								13	80--89 5600K
								13	90--99 5900K
								13	100--109 6500K
								13	110--119 7200K
								13	120--129 8000K
								13	130--139 8500K
								13	140--149 10000K
								13	150--255 Reserve(temporary=10000K)
								14	All red
								14	0--255 Red(0--off,255--100%red)
								15	All green
								15	0--255 Green(0--off,255--100%green)
								16	All rblue
								16	0--255 Blue(0--off,255--100%blue)
								17	All amber
								17	0--255 Amber(0--off,255--100%amber)
								18	Red 1
								18	0--255 Red(0--off,255--100%red)



						10	15		Red fine 1
								0--255	(0-100% fine adjustment)
		10	14	10	14	11	16		Green 1
								0--255	Green(0--off,255--100% green)
							12	17	Green fine 1
								0--255	(0-100% fine adjustment)
		11	15	11	15	13	18		Blue
								0--255	Blue(0--off,255--100% blue)
						14	19		Blue fine 1
								0--255	(0-100% fine adjustment)
				12	16	15	20		Amber 1
								0--255	Amber(0--off,255--100% amber)
						16	21		Amber fine 1
								0--255	(0-100% fine adjustment)
		12	16	13	17	17	22		Red 2
								0--255	Red(0--off,255--100% red)
						18	23		Red fine 2
								0--255	(0-100% fine adjustment)
		13	17	14	18	19	24		Green 2
								0--255	Green(0--off,255--100%green)
						20	25		Green fine 2
								0--255	(0-100% fine adjustment)
		14	18	15	19	21	26		Blue 2
								0--255	Blue(0--off,255--100% blue)
						22	27		Blue fine 2
								0--255	(0-100% fine adjustment)
				16	20	23	28		Amber 2
								0--255	Amber(0--off,255--100% Amber)
						24	29		Amber fine 2
								0--255	(0-100% fine adjustment)
									...
		24	28	29	33	49	54		Red 6
								0--255	Red(0--off,255--100%red)
						50	55		Red fine 6
								0--255	Red(0--off,255--100%red)
		25	29	30	34	51	56		Green 6
								0--255	Green(0--off,255--100% green)
						52	57		Green fine 6
								0--255	Green(0--off,255--100%green)
		26	30	31	35	53	58		Blue 6
								0--255	Blue(0--off,255--100% blue)
						54	59		Blue fine 6
								0--255	Blue(0--off,255--100% blue)
				32	36	55	60		Amber 6
								0--255	Amber (0--off,255--100% amber)
						56	61		Amber fine 6
								0--255	(0-100% fine adjustment)

# 9. Routine maintenance

## 9.1 Cleaning & maintenance

This fixture requires routine cleaning. The service life depends on the operating environment heavily. Please kindly contact GUANG ZHOU CHAI YI LIGHT CO., LTD for more maintenance information not included in this user's manual.

Notice: Excessive dust, smoke fluid and particulate buildup will degrade performance and cause overheating or damage to the fixture that is not covered by the warranty.

Warning: Please unplug the fixture before you open any covers.

### **Cleaning**

Optical components should be cleaned carefully and lightly. Coating face is easily damaged, do not use harmful solvent so as to avoid damage to plastic parts or coating parts.

#### **Cleaning optical components**

1. Switch off the fixture and keep it cool completely, then open the cover.
2. Clean the floats by dust collector or compressed.
3. Use cotton paper without smell or cotton cloth soaked with the water, distilled water to wipe the granular thing, don't wipe the surface, float things should be blown away by the pressure gas.
4. Use the cotton cloth or cotton paper without smell soaked with isopropyl alcohol to remove the smoke and other residues. A commercial glass cleaner may be used, but residues must be removed with distilled water. Clean with a slow circular motion from center to edge. Dry with a clean, soft and lint-free cloth or compressed air.

#### **Cleaning fan and air vents**

Remove dust from the fans and air vents with a soft brush, cotton paper, vacuum, or compressed air.

# 10. Ordering P/N

## FINE 156 Batten

NO.	Item	Specification	Ordering P/N
1	Basement	307x51.6	110712000374
2	Basement supporter	211x111	110712000375
3	Front board of the basement	208x63	110712000377
4	Rear board of the basement	208x63	110712000378
5	Main board of the yoke	426.1x100	110712000381
6	Side board of the yoke	524x126	110712000382
7	Cover of the yoke	481.8x105.5	110712000396
8	Cooler of the head	0.8453	120712000011
9	Tilt motor	17HD0061-25	140102000111
10	Pan motor	23HD0023-20	140102000112
11	Lens	φ 66.48/5	200712000020
12	Power switch	28V/160w	330001200022
13	Led board	39*31	330711100030
14	LED drive board	464*49	330711100031
15	Main control board	—	330711100033
16	Pan/tilt drive board	70*80	330712100008
17	Transparent PC plate	2.5x470x75.8	350712000002
18	Handle	—	380712000077
19	Yoke cover	—	380712000078
20	Base cover	—	380712000081

The relevant information in this manual, all the materials are according to the real light product, if there is something different, sorry to tell you that we are not able to notice you, and CAIYI reserve all the copyrights.

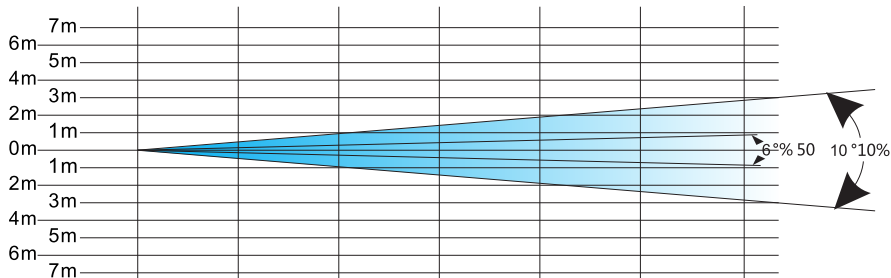
## FINE 156 Batten OD

NO.	Item	Specification	Ordering P/N
1	Power supply		330001200028
2	Main control board		330711100033
3	Waterproof motor	Thickness: 41, Width: 56.4, Axis: $\phi$ 6.35X22.5, Temperature:130°C, IP rate: IP67	140102000125
4	Belt HTD-534-3M	Teeth qty: 178, Width: 6, Linelength: 534, Thickness: 2.4, Normal temperature resistance	350201000289
5	Belt HTD-300-3M	Teeth width: 6mm Line, length: 300, Thickness: 2.4, Normal temperature resistance	350201000290
6	Pan Tilt Board	60mm*80mm	330712100029
7	Optocoupler Board		330711100048
8	Hall Sensor Board		330711100047
9	Lamp Board		330711100030
10	Driver Board		330711100031

# Attached 1: FINE 156 BATTEN/156 BATTEN OD photometric diagram

## ● photometric diagram(Pan)

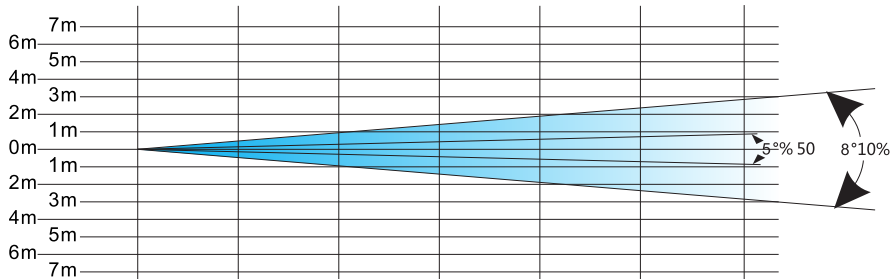
Willuminance (lux)		34199	8550	3800	2137	1368	950
B illuminance (lux)		14791	3698	1643	924	592	411
G illuminance (lux)		26912	6723	2990	1682	1076	748
R illuminance (lux)		17023	4257	1892	1064	681	473
Mix white illuminance (lux)	0	53012	13253	5890	3313	2120	1473



Distance(m)	0	2	4	6	8	10	12
6°50% Spot diameter(m)	0	φ0.23	φ0.46	φ0.69	φ0.92	φ1.15	φ1.38
10°10% Spot diameter(m)	0	φ0.32	φ0.65	φ0.97	φ1.29	φ1.62	φ1.94

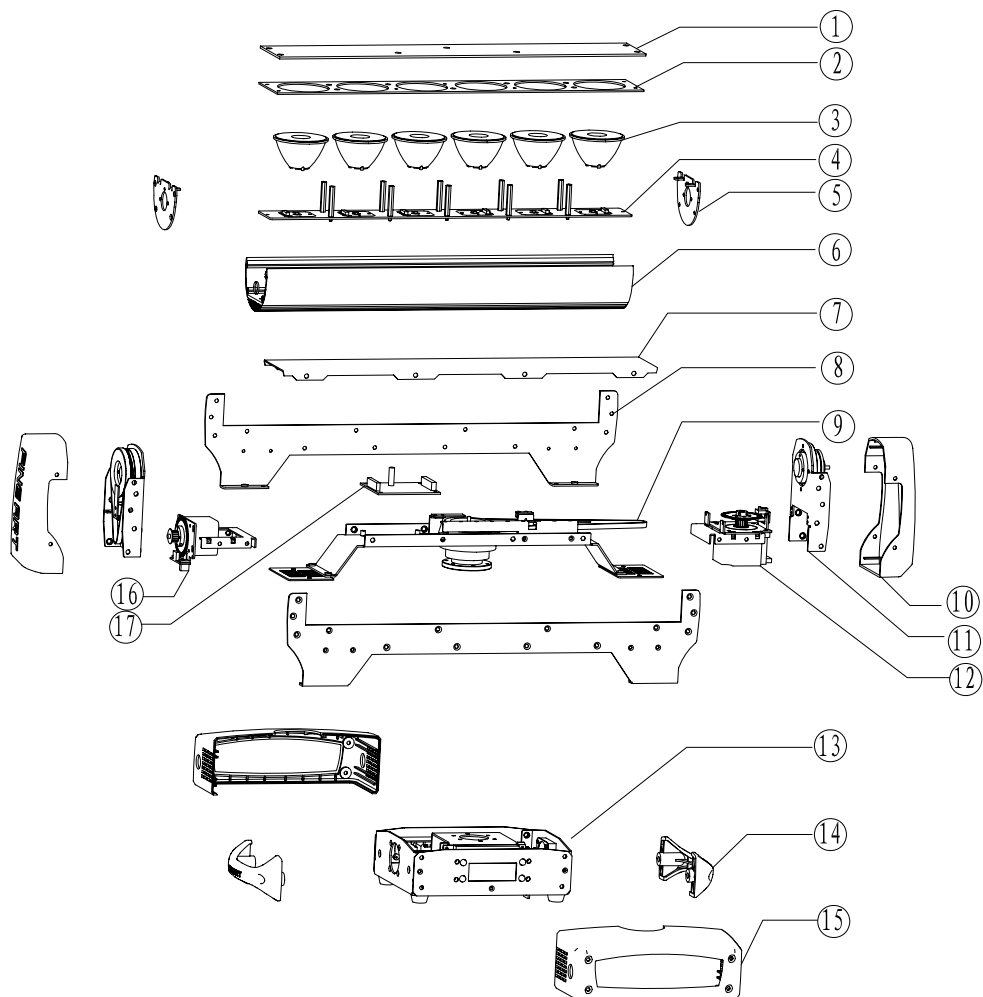
## ● photometric diagram(Tilit)

Willuminance (lux)		34199	8550	3800	2137	1368	950
B illuminance (lux)		14791	3698	1643	924	592	411
G illuminance (lux)		26912	6723	2990	1682	1076	748
R illuminance (lux)		17023	4257	1892	1064	681	473
Mix white illuminance (lux)	0	53012	13253	5890	3313	2120	1473



Distance(m)	0	2	4	6	8	10	12
5°50% Spot diameter(m)	0	0.27	0.55	0.82	1.09	1.37	1.64
8°10% Spot diameter(m)	0	0.56	1.11	1.67	2.23	2.79	3.34

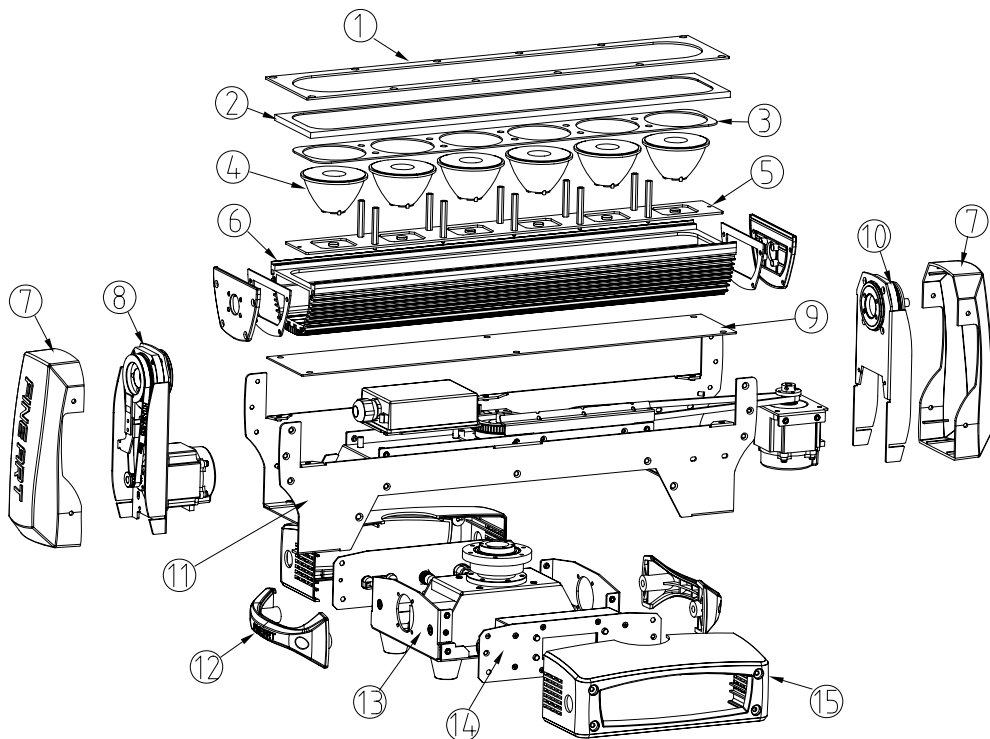
## Attached 2: FINE 156 BATTEN fixture exploded drawing



1. Transparent PC plate
2. Lens plate
3. Lens
4. Aluminum board
5. Side board of the head
6. Cooler
7. Arms cover
8. Arms side board
9. Arms module

10. Yoke cover
11. Yoke module
12. Pan motor module
13. Base module
14. Handle
15. Base cover
16. Tilt motor module
17. Pan/tilt drive board

### Attached 3: FINE 156 BATTEN OD fixture exploded drawing



- |                                |                     |
|--------------------------------|---------------------|
| 1. Head plate                  | 9. Arms cover       |
| 2. Head waterproof rubber ring | 10. Arms left board |
| 3. Lens plate                  | 11. Arms side board |
| 4. Lens                        | 12. Handle          |
| 5. Lamp board                  | 13. Base            |
| 6. Lamp boby profile           | 14. Display mouldle |
| 7. Arm cover                   | 15. Base cover      |
| 8. Arms right board            |                     |