

FINE 2080 AMPLIFIER (IN FRONT) USER MANUAL

Thanks for purchasing this FINE 2080 AMPLIFIER. This is a cabinet type DMX signal amplifier. It's an integral unit for both signal distribution and isolated amplification. Various advantages such as small size, easy operation and reliable performance, make it a perfect supplementary for stage lighting engineering.

Safety information

Application environment: indoor usage.



$t_a=40^{\circ}\text{C}$

Under normal working conditions, the ambient temperature should not exceed 40°C . Otherwise, stop using it immediately.

This product is type I structure equipment, it needs safe grounding when used.

Panel description

Red indicator shows the states of power supply. The indicator lit up when the supply is on.

Green indicators show the states of input/output signals: when the input signal is normal, a large green indicator will flicker; when the output signal is normal, a small green indicator will flicker. It will be off if no output signal.

Features description

Eight DMX outputs are configured that can extend the transmission distance of signals, and improve the driving ability of DMX512 output signal. Both inputs and outputs are incorporated with photoelectric isolation technique. Input: One main input(two DMX input ports)

Provided with standard 3-pin socket(5-pin socket is optional)

Output: Eight DMX output ports

Provided with standard 3-pin socket(5-pin socket is optional)

One power supply with indicator

One DMX input indicator, eight DMX output indicators

An inbuilt eight-channel input/output circuitry is provided for signals isolation and amplification, each channel is provided with independent power source and grounding, so as to get rid of crosstalk, signal reflection and damages to the unit caused by leakage. Each channel has been provided with indicator for signal output, thus it can be primarily determined whether the signal output is normal or not of a specific channel.

Structure

Made of metallic materials, suitable to be mounted on any safe place.

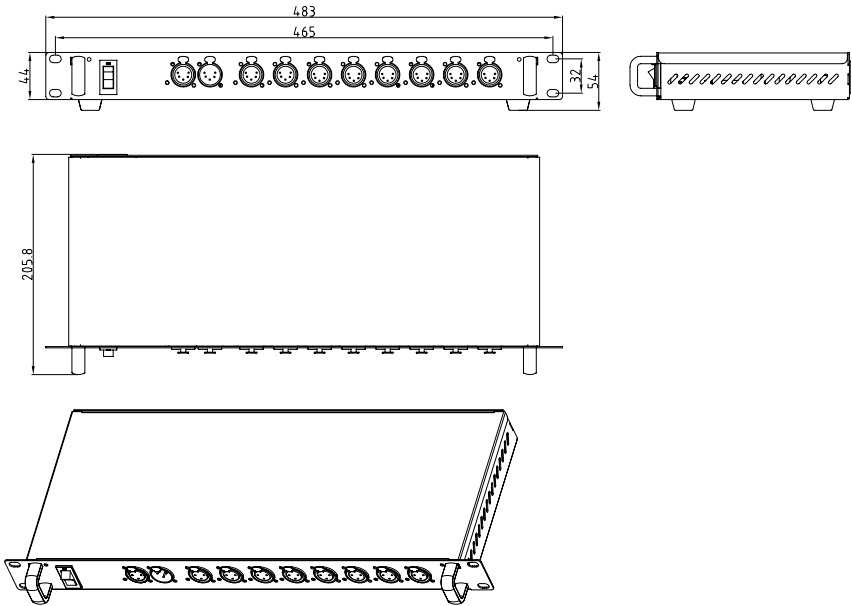
FINE 2080 AMPLIFIER (IN FRONT) USER MANUAL

Technical spec.

- Input voltage: 220VAC,50/60Hz
- Max consumption: 42mA
- Input power: 6W
- Power factor: > 0.65
- Interface type: RS-485
- Input interface: 1 main line input (2 signal input ports)
- Output interface: 8-way output
- Weight: 2.88KG

Product shape and size

Product size: 483×205. 8×54mm



Specifications in this manual intend for reference only, the follow-spot delivered takes the priority. Any future modification pertaining to content of this manual, there will be no particular notifications. CAIYI reserves all copyrights.